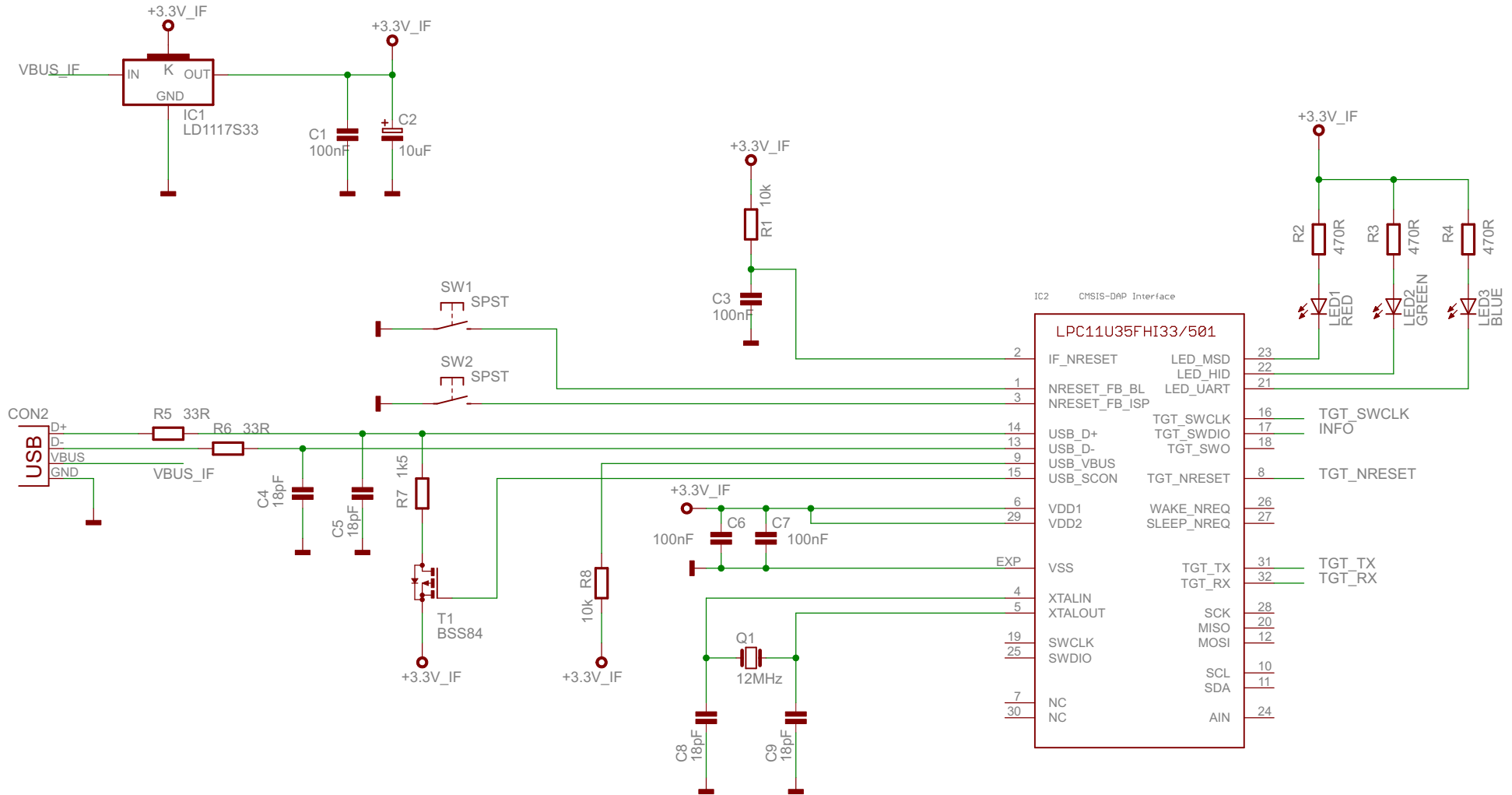


CMSIS-DAP Interface



mbed
Enabled

mbed-HDK

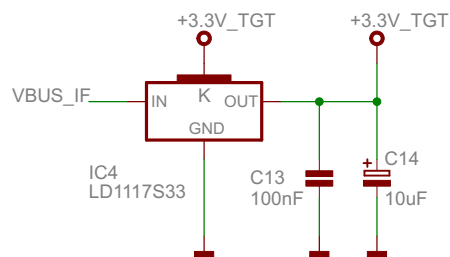
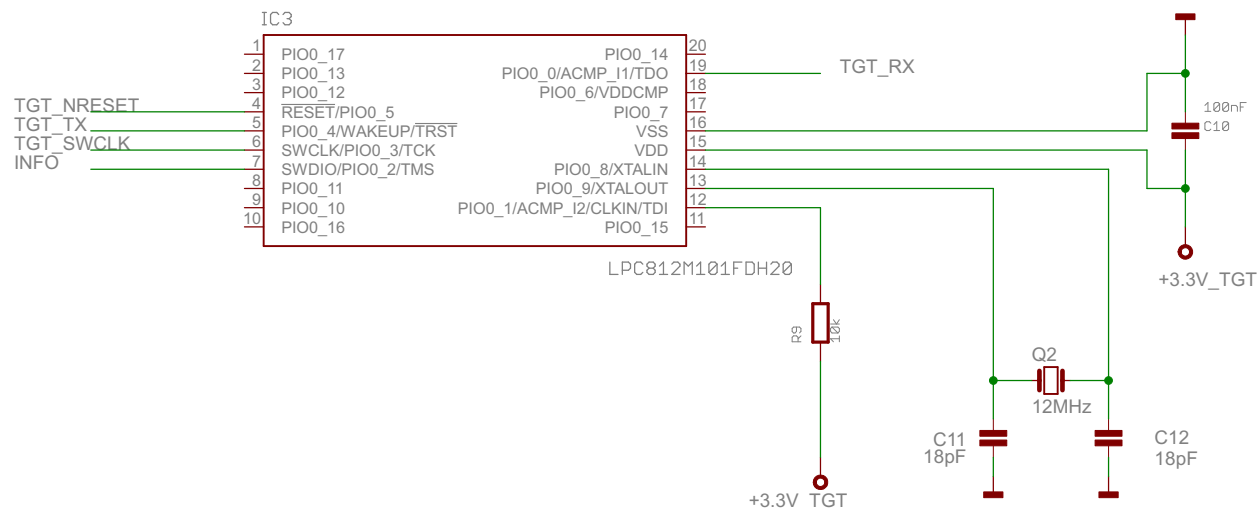
LPC812M10

8/28/2013 6:15:05 PM

1/2

To start LPC11U35 ISP Bootloader, hold down SW2 during power up

To start mbed Bootloader, hold down SW1 during power up



Target LDO powered from "Vin" or VBUS of the interface

mbed-HDK
LPC812M10
8/28/2013 6:15:05 PM
2/2