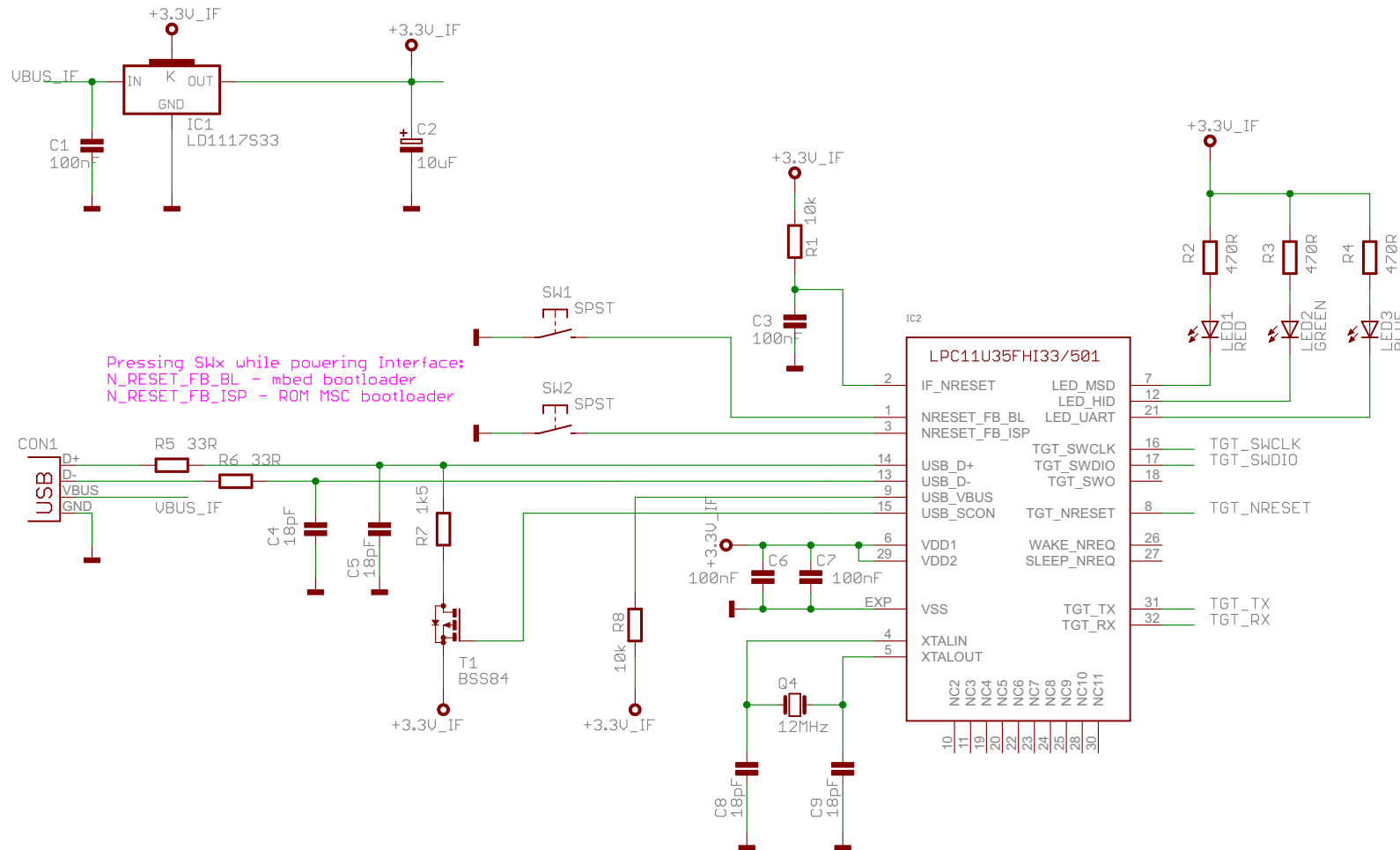


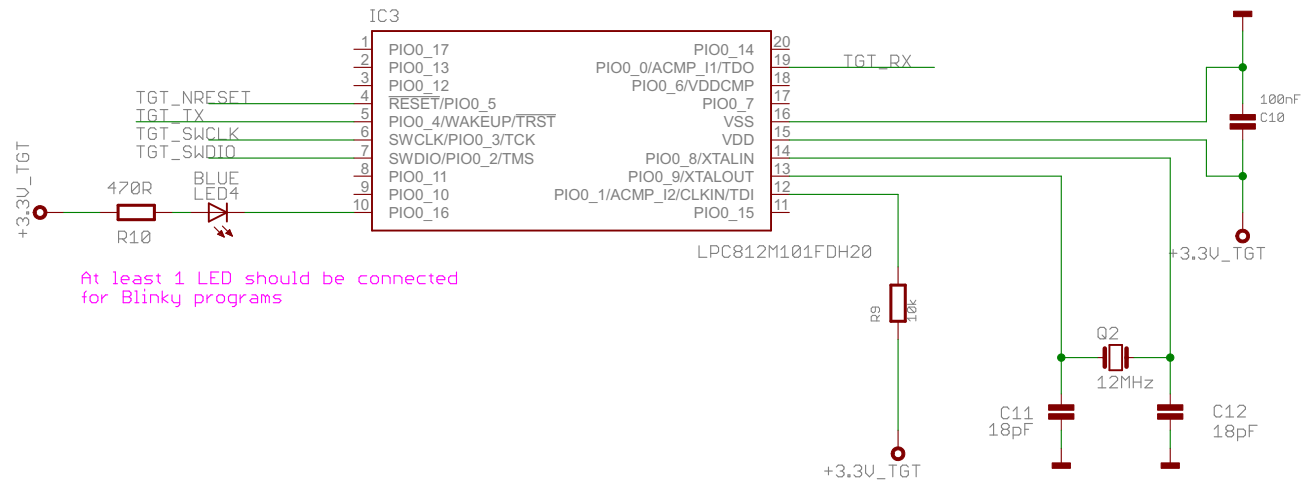
Interface



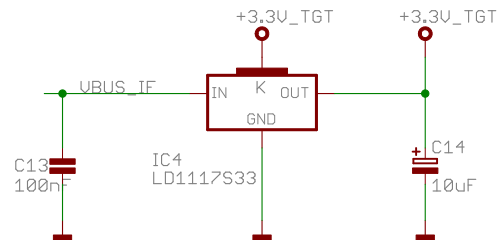
mbed
Enabled

mbed-HDK
LPC812M10
10/29/2014 10:21:10 AM
1/2

Target



At least 1 LED should be connected for Blinky programs



mbed-HDK

LPC812M10

10/29/2014 10:21:10 AM

2/2