

Base Line

mbed
LED
USB (Type B)

Practical Platform

mbed
LED
USB (Type B)

StarBoard Orange
TEXT LCD
SD CARD
USB (Type A)
LAN (RJ-45)

Application Platform

mbed
LED
USB (Type B)

StarBoard Orange
TEXT LCD
SD CARD
USB (Type A)
LAN (RJ-45)

Expansion Board
RS-232C
Wii Nunchuk
JPEG serial camera
PS/2 Keyboard
Analog inputs
IR (TX)
IR (RX)
CAN (Sandbox)
PWM (Sandbox)



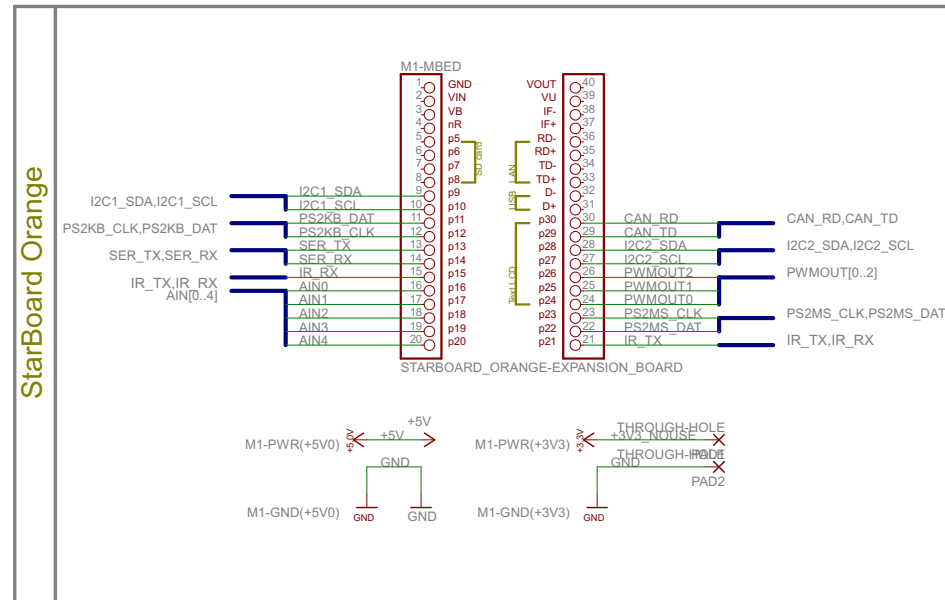
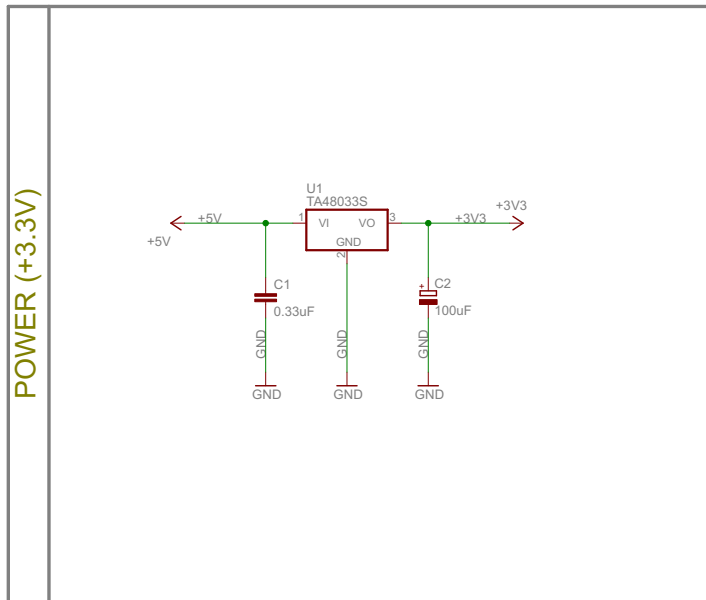
Connection map

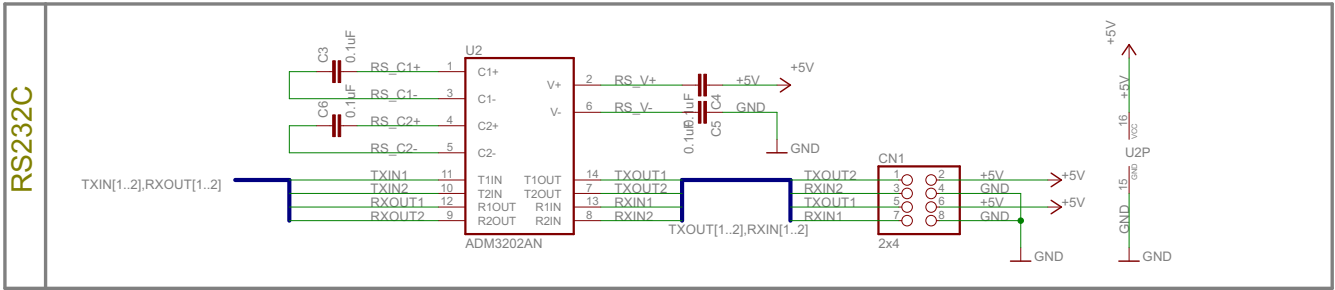
<- Pins

mbed	Peripherals on mbed	Net name	Functions	
p5	SPI (mosi)		microSD card on StarBoard Orange	
p6	SPI (miso)			
p7	SPI (sck)			
p8				
p9	Serial (tx)	I2C (sda)	I2C1_SDA	Wii Nunchuk / Serial (RS-232C)
p10	Serial (rx)	I2C (scl)	I2C1_SCL	
p11		SPI (mosi)	PS2KB_DAT	PS/2 Keyboard
p12		SPI (miso)	PS2KB_CLK	
p13	Serial (tx)	SPI (sck)	SER_TX	Serial (TTL)
p14	Serial (rx)		SER_RX	
p15	AnalogIn		IR_RX	IR Receiver
p16	AnalogIn		AIN0	Analog inputs
p17	AnalogIn		AIN1	
p18	AnalogIn	AnalogOut	AIN2	
p19	AnalogIn		AIN3	
p20	AnalogIn		AIN4	

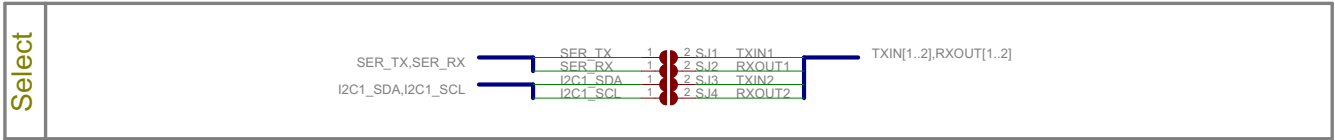
Pins ->

mbed	Peripherals on mbed	Net name	Functions	
RD-	Ethernet		Ethernet	
RD+	Ethernet			
TD-	Ethernet			
TD+	Ethernet			
D-	USB		USB	
D+	USB			
p30	CAN (rd)		CAN_RD	Text LCD on StarBoard Orange CAN (Sandbox)
p29	CAN (td)		CAN_TD	
p28	I2C (sda)	Serial (tx)	I2C2_SDA	Text LCD on StarBoard Orange CAN (Sandbox)
p27	I2C (scl)	Serial (rx)	I2C2_SCL	
p26	PwmOut		PWMOUT2	Text LCD on StarBoard Orange PWM (Sandbox)
p25	PwmOut		PWMOUT1	
p24	PwmOut		PWMOUT0	
p23	PwmOut		PS2MS_CLK	PS/2 Mouse
p22	PwmOut		PS2MS_DAT	
p21	PwmOut		IR_TX	IR Transmitter

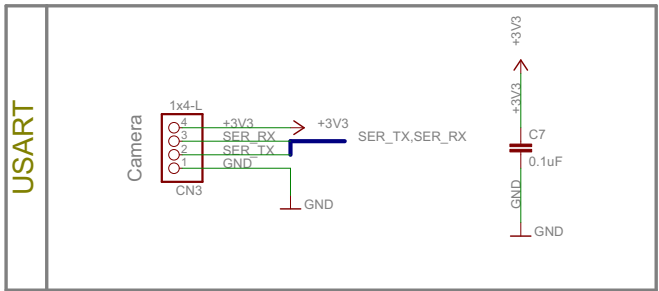
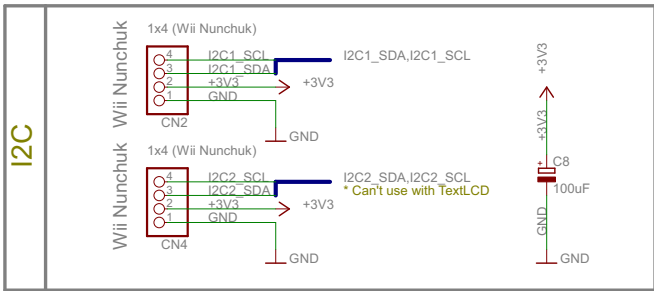




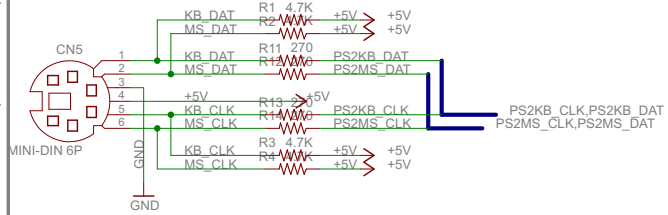
↑
Jumpers: Closed



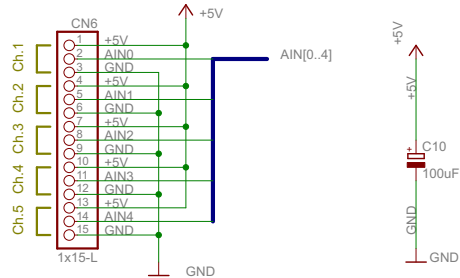
↓
Jumpers: Opened



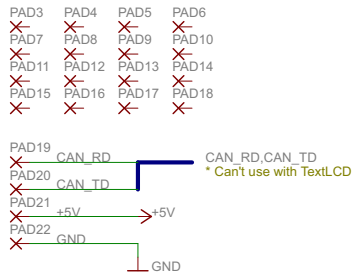
PS/2 (KB, MS)



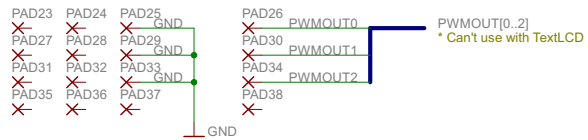
Analog inputs



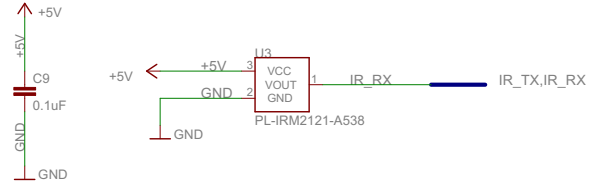
Sandbox for CAN



Sandbox for PWM



IR (RX)



IR (TX)

