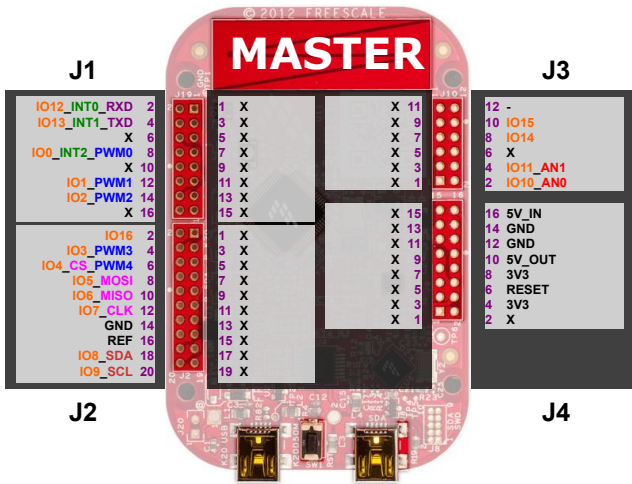
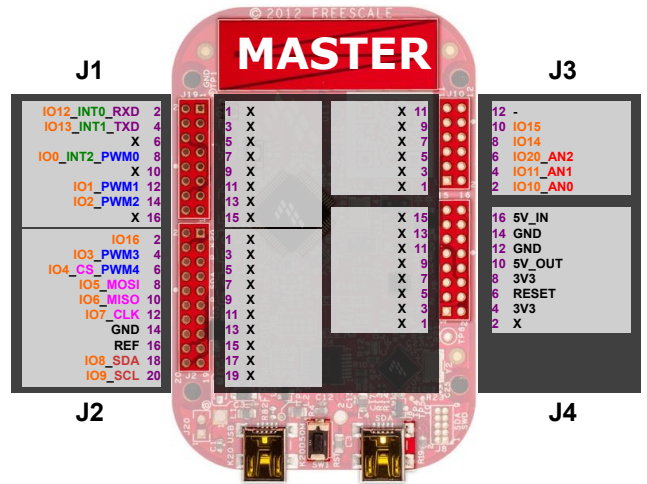


TYPE A



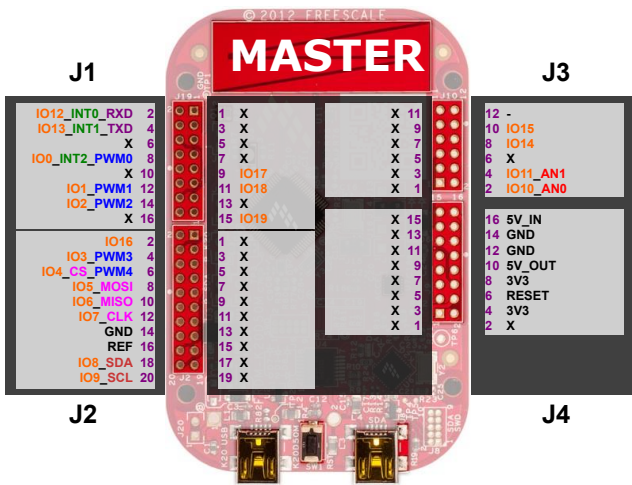
Works for all FRDM boards\*; also based on Arduino UNO and LEONARDO  
 NOTE: The KE04Z has the MOSI and MISO pins swapped and is therefore not compatible on those pins  
 The KL27Z does not have an interrupt on J1/8 and is therefore not compatible on that pin

TYPE B



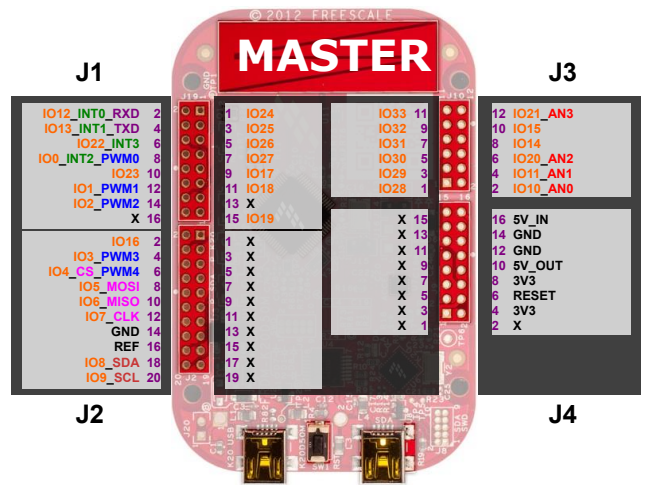
No KE04Z\*; also based on Arduino UNO and LEONARDO  
 NOTE: The KL27Z does not have an interrupt on J1/8 and is therefore not compatible on that pin

TYPE C



KL02Z, KL03Z, KL05Z\*; Arduino do not connect to odd pins  
 NOTE: The KE04Z has the MOSI and MISO pins swapped and is therefore not compatible on those pins  
 The KL27Z does not have an interrupt on J1/8 and is therefore not compatible on that pin

TYPE D



No KE04Z; KL02Z, KL03Z, KL05Z\*; Arduino do not connect to odd pins  
 NOTE: The KL27Z does not have an interrupt on J1/8 and is therefore not compatible on that pin