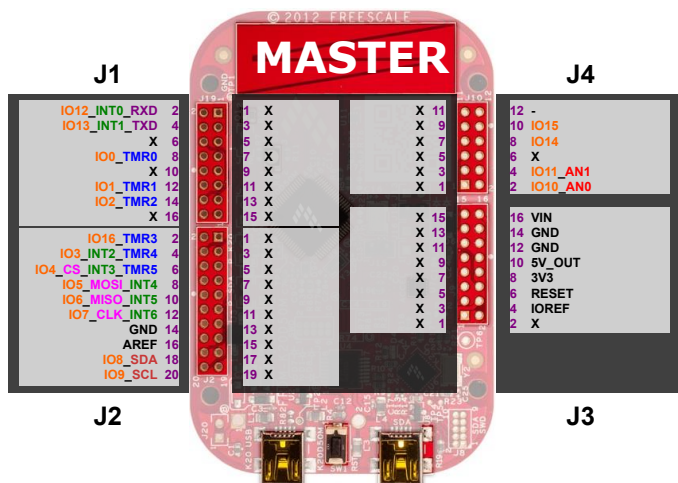
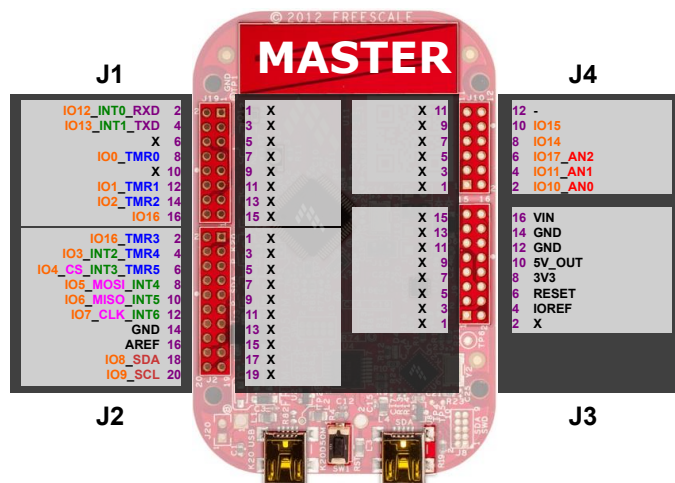


TYPE A



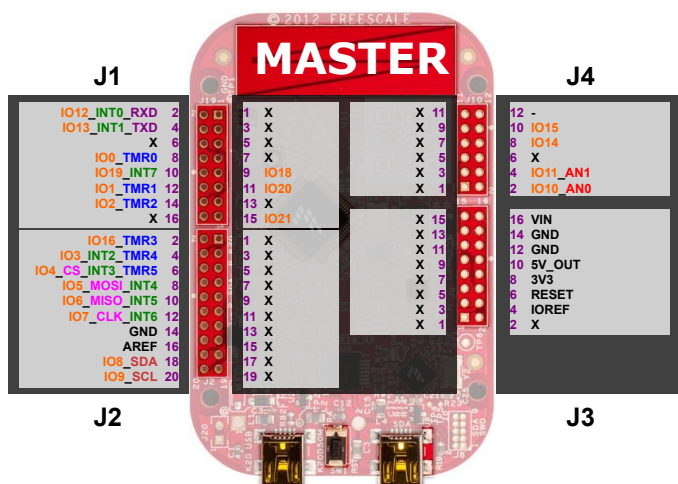
TYPE B



Works for all FRDM boards*; also based on Arduino UNO (no PWM on J2/2) and Arduino MEGA (no INT on J1/4, SPI on J2/6/8/10/12)
NOTE: The KE04Z has the MOSI and MISO pins swapped on J2/8/10

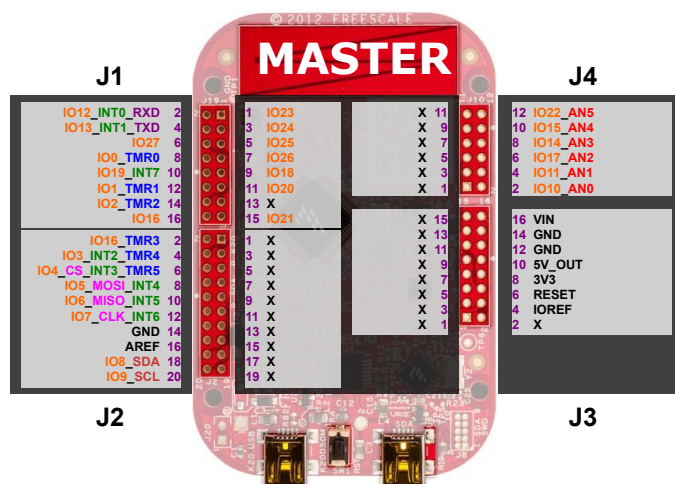
No KE04Z*; also based on Arduino UNO (no PWM on J2/2) and Arduino MEGA (no INT on J1/4, SPI on J2/6/8/10/12)

TYPE C



KL02Z, KL03Z, KL05Z*; also based on Arduino UNO (no PWM on J2/2) and Arduino MEGA (no INT on J1/4, SPI on J2/6/8/10/12)
NOTE: Arduino do not connect to odd pins
The KE04Z has the MOSI and MISO pins swapped on J2/8/10

TYPE D



No KE04Z, KL02Z, KL03Z, KL05Z*; also based on Arduino UNO (no PWM on J2/2) and Arduino MEGA (no INT on J1/4, SPI on J2/6/8/10/12)
NOTE: Arduino do not connect to odd pins