

THIS DRAWING IS THE PROPERTY OF ANALOG DEVICES INC. IT IS NOT TO BE REPRODUCED OR COPIED, IN WHOLE OR IN PART, OR USED IN FURNISHING INFORMATION TO OTHERS, OR FOR ANY OTHER PURPOSE DETRIMENTAL TO THE INTERESTS OF ANALOG DEVICES. THE EQUIPMENT SHOWN HEREON MAY BE PROTECTED BY PATENTS OWNED OR CONTROLLED BY ANALOG DEVICES.

REVISIONS			
REV	DESCRIPTION	DATE	APPROVED

SDP-K1 SCHEMATIC

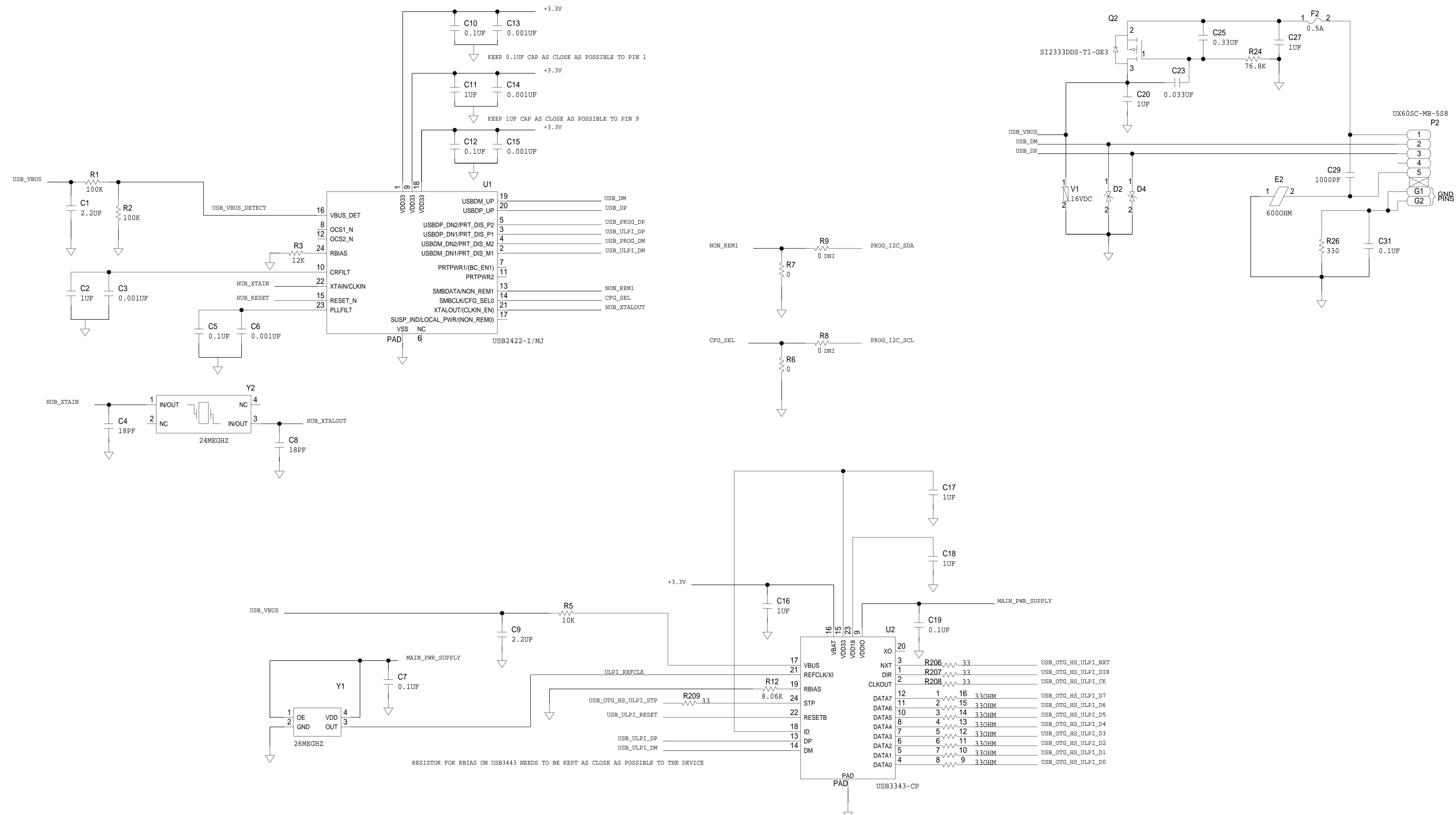
- PAGE 2 - USB
- PAGE 3 - MCU
- PAGE 4 - MCU MISCELLANEOUS SIGNALS
- PAGE 5 - PROGRAMMING PROCESSOR
- PAGE 6 - POWER ON RESET
- PAGE 7 - POWER CIRCUITRY
- PAGE 8 - ARDUINO CONNECTOR
- PAGE 9 - SDP CONNECTOR
- PAGE 10 - SDRAM LEVEL TRANSLATORS
- PAGE 11 - SDRAM

P.O SPEC.	BK/BD SPEC.	SOCKET OEM	OEM PART#	HANDLER
-----------	-------------	------------	-----------	---------

TEMPLATE ENGINEER -	DATE	SCHEMATIC		
HARDWARE SERVICES -				
HARDWARE SYSTEMS -		HW TYPE : Customer Evaluation Product(s) : N/A : N/A PACKAGE : N/A-lead N/A N/A-family : Pitch-pitch StyleVendor Style		
TEST ENGINEER -		<User Define>		
COMPONENT ENGINEER -		<User Define>		
TEST PROCESS -		<User Define>		
HARDWARE RELEASE -				
DESIGNER -		MASTER PROJECT TEMPLATE TBD	TESTER TEMPLATE no_template	DRAWING NO. 02_049259
PTD ENGINEER <PTD_ENGINEER>		UNLESS OTHERWISE SPECIFIED DIMENSIONS ARE IN INCHES		
CHECKER -		TOLERANCES DECIMALS X.XX +0.010 X.XXX +0.005 FRACTIONS +1/32 ANGLES +2		
		SIZE D	SCALE 1:1	CODE ID NO. CodeID
		SHEET 1	OF 11	REV. B

USB

REVISIONS			
REV	DESCRIPTION	DATE	APPROVED

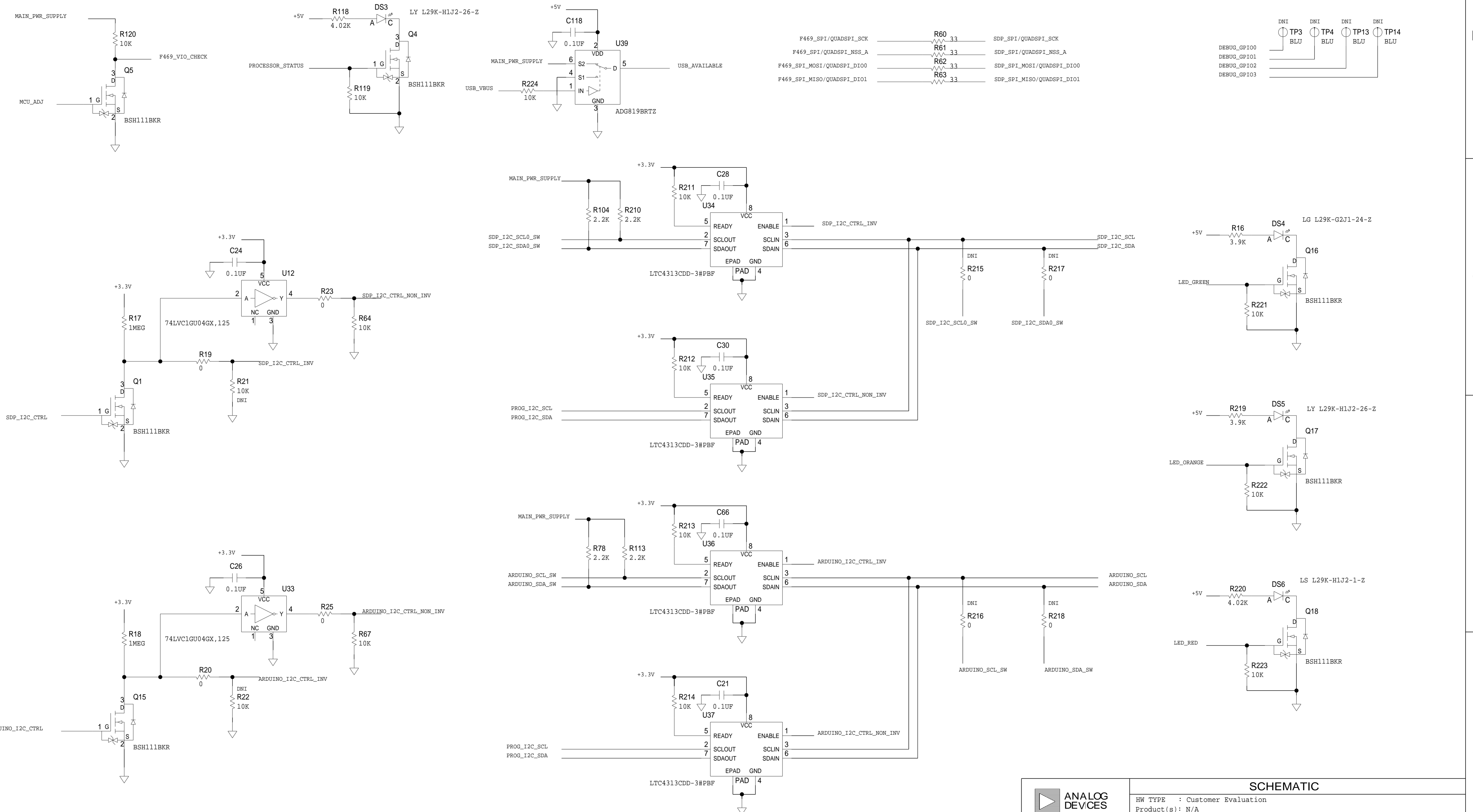


	SCHEMATIC		
	HW TYPE : Customer Evaluation		
	Product(s) : N/A		
	: N/A		
DESIGN VIEW	DRAWING NO.	REV	
<DESIGN_VIEW>	02_049259	B	
PTD ENGINEER	SIZE	SCALE	
<PTD_ENGINEER>	D	1:1	SHEET 2 OF 11

THIS DRAWING IS THE PROPERTY OF ANALOG DEVICES INC. IT IS NOT TO BE REPRODUCED OR COPIED, IN WHOLE OR IN PART, OR USED IN FURNISHING INFORMATION TO OTHERS, OR FOR ANY OTHER PURPOSE DETRIMENTAL TO THE INTERESTS OF ANALOG DEVICES. THE EQUIPMENT SHOWN HEREIN MAY BE PROTECTED BY PATENTS OWNED OR CONTROLLED BY ANALOG DEVICES.

MCU MISCELLANEOUS SIGNALS

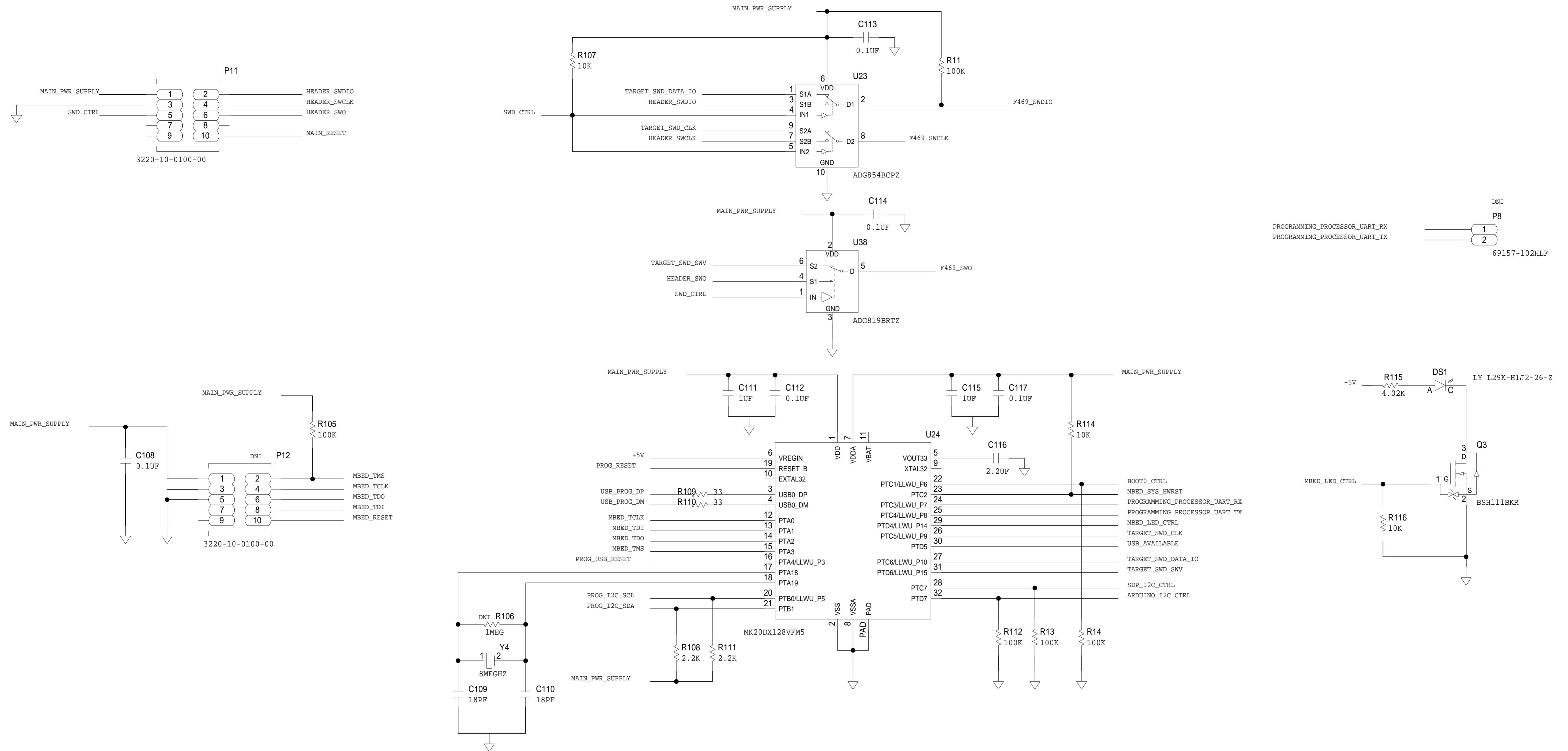
REVISIONS			
REV	DESCRIPTION	DATE	APPROVED



<p>THIS DRAWING IS THE PROPERTY OF ANALOG DEVICES INC. IT IS NOT TO BE REPRODUCED OR COPIED, IN WHOLE OR IN PART, OR USED IN ANY MANNER THAT WOULD BE DETRIMENTAL TO THE INTERESTS OF ANALOG DEVICES. THE EQUIPMENT SHOWN HEREIN MAY BE PROTECTED BY PATENTS OWNED OR CONTROLLED BY ANALOG DEVICES.</p>	SCHEMATIC		
	HW TYPE : Customer Evaluation		
	Product(s) : N/A		
	Product(s) : N/A		
DESIGN VIEW <DESIGN_VIEW>	DRAWING NO. 02_049259	REV B	
PTD ENGINEER <PTD_ENGINEER>	SIZE D	SCALE 1:1	SHEET 4 OF 11

PROGRAMMING PROCESSOR

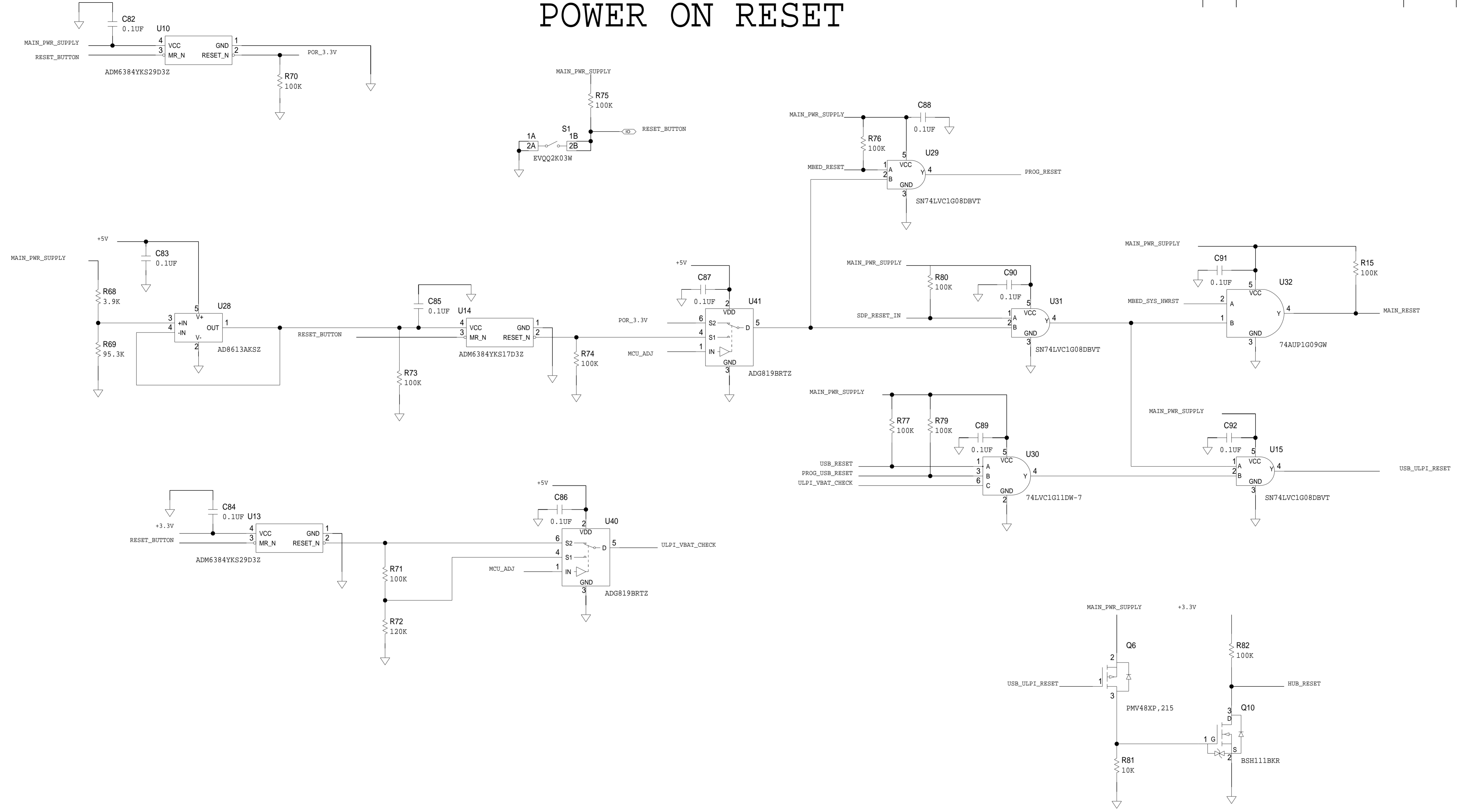
REVISIONS			
REV	DESCRIPTION	DATE	APPROVED



THIS DRAWING IS THE PROPERTY OF ANALOG DEVICES INC. IT IS NOT TO BE REPRODUCED OR COPIED, IN WHOLE OR IN PART, OR USED IN ANY MANNER WITHOUT THE WRITTEN PERMISSION OF ANALOG DEVICES. THE EQUIPMENT SHOWN HEREIN MAY BE PROTECTED BY PATENTS OWNED OR CONTROLLED BY ANALOG DEVICES.

POWER ON RESET

REVISIONS			
REV	DESCRIPTION	DATE	APPROVED

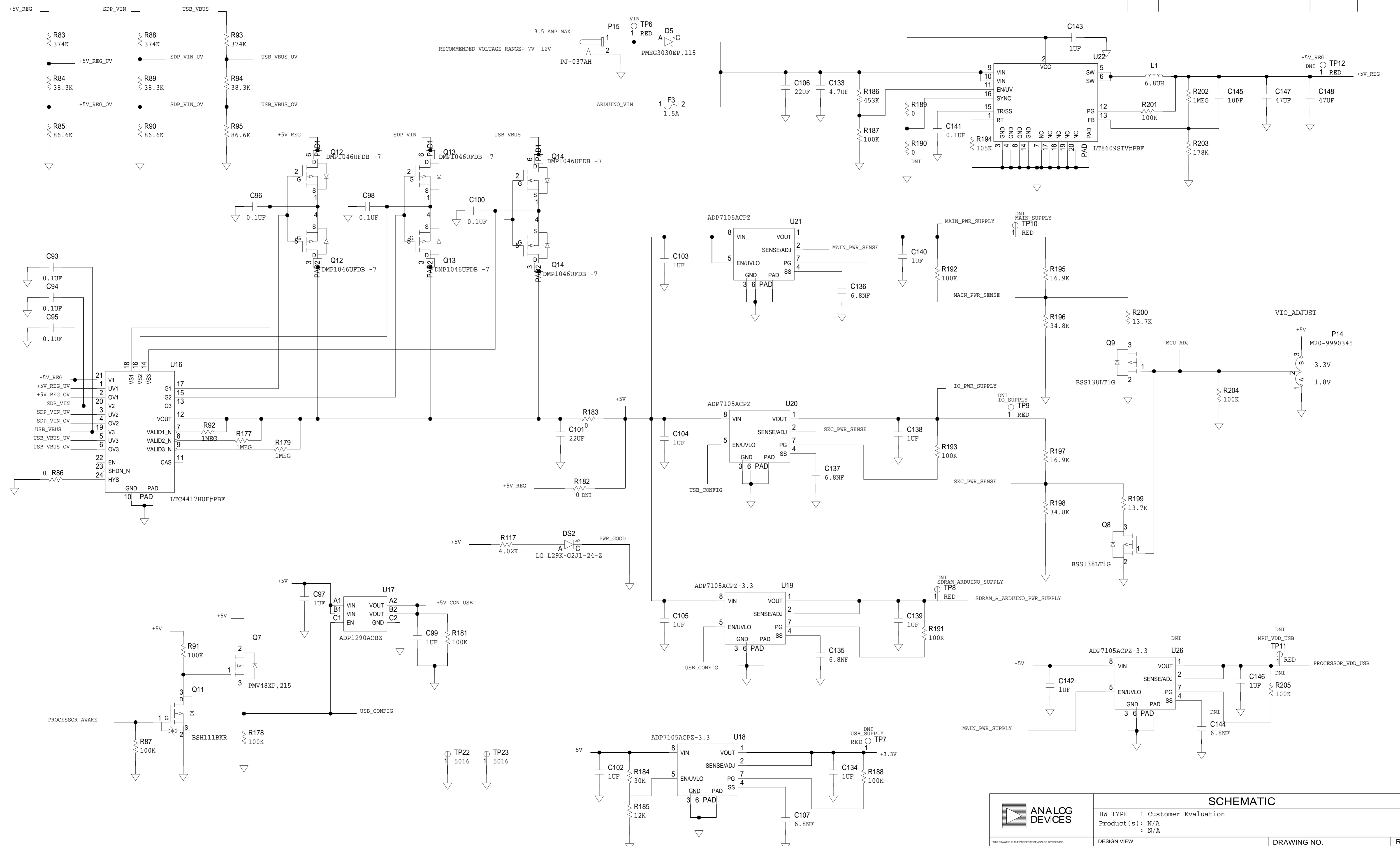


	SCHEMATIC		
	HW TYPE : Customer Evaluation		
	Product(s) : N/A		
	: N/A		
DESIGN VIEW <DESIGN_VIEW>	DRAWING NO. 02_049259	REV B	
PTD ENGINEER <PTD_ENGINEER>	SIZE D	SCALE 1:1	SHEET 6 OF 11

THIS DRAWING IS THE PROPERTY OF ANALOG DEVICES INC. IT IS NOT TO BE REPRODUCED OR COPIED, IN WHOLE OR IN PART, OR USED IN FURNISHING INFORMATION TO OTHERS, OR FOR ANY OTHER PURPOSE DETRIMENTAL TO THE INTERESTS OF ANALOG DEVICES. THE EQUIPMENT SHOWN HEREON MAY BE PROTECTED BY PATENTS OWNED OR CONTROLLED BY ANALOG DEVICES.

POWER CIRCUITRY

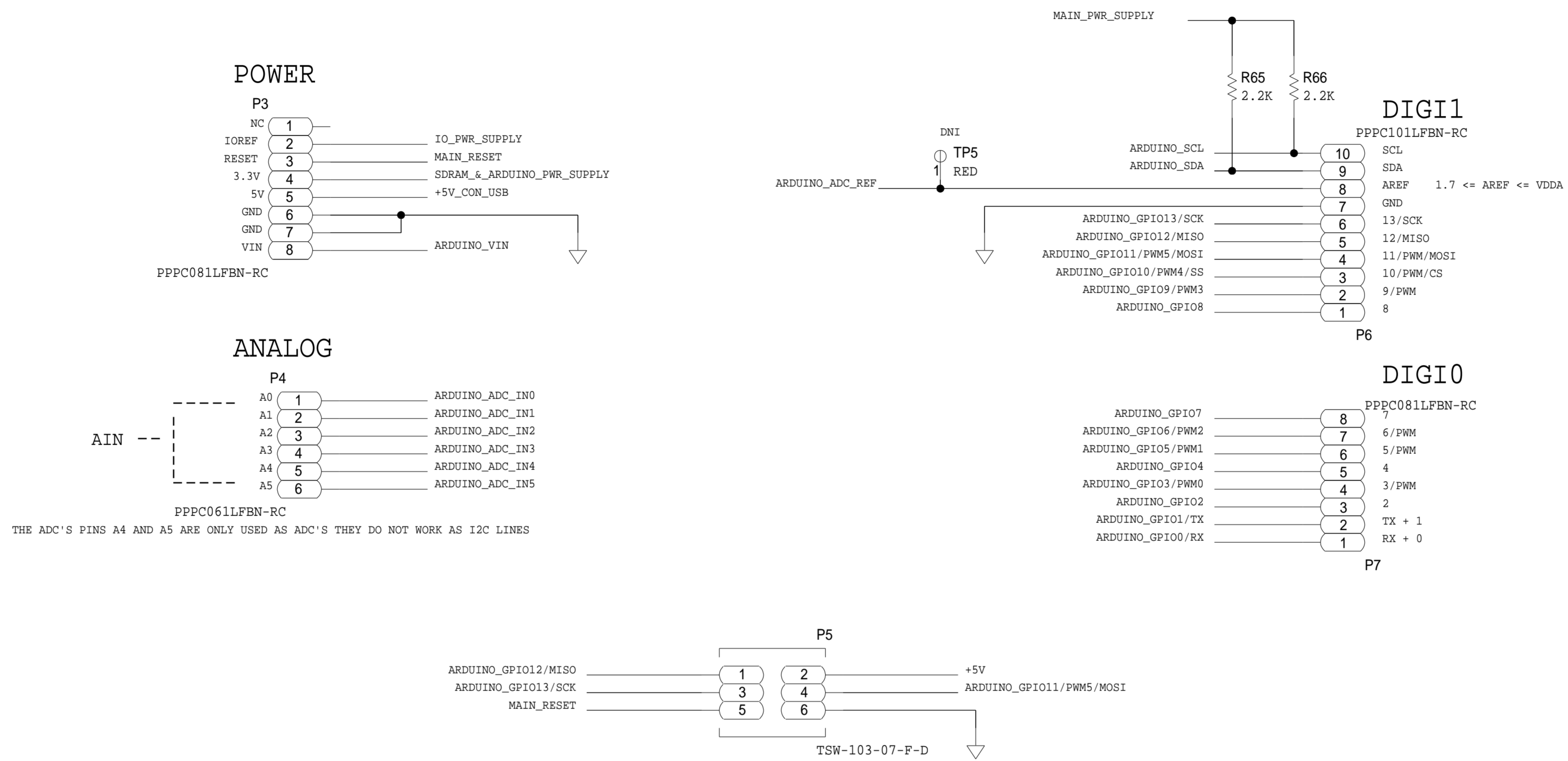
REVISIONS			
REV	DESCRIPTION	DATE	APPROVED



SCHEMATIC			
		HW TYPE : Customer Evaluation Product(s) : N/A : N/A	
DESIGN VIEW	<DESIGN_VIEW>	DRAWING NO.	02_049259
PTD ENGINEER	<PTD_ENGINEER>	REV	B
SIZE	D	SCALE	1:1
SHEET 7		OF 11	

ARDUINO CONNECTOR

REVISIONS			
REV	DESCRIPTION	DATE	APPROVED



THE ADC'S PINS A4 AND A5 ARE ONLY USED AS ADC'S THEY DO NOT WORK AS I2C LINES

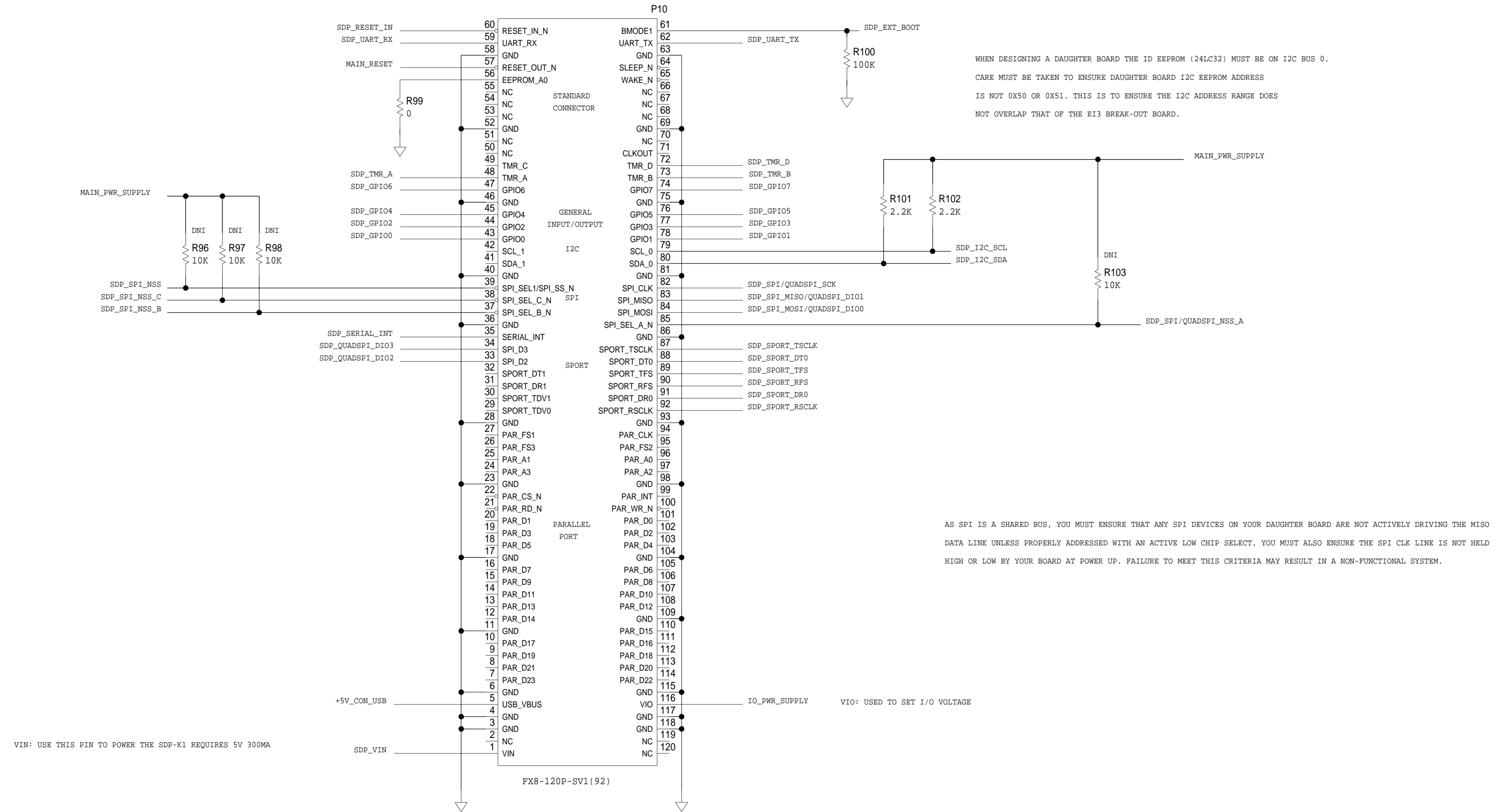
	SCHEMATIC		
	HW TYPE : Customer Evaluation		
	Product(s) : N/A		
	: N/A		
DESIGN VIEW <DESIGN_VIEW>	DRAWING NO. 02_049259	REV B	
PTD ENGINEER <PTD_ENGINEER>	SIZE D	SCALE 1:1	SHEET 8 OF 11

THIS DRAWING IS THE PROPERTY OF ANALOG DEVICES INC. IT IS NOT TO BE REPRODUCED OR COPIED, IN WHOLE OR IN PART, OR USED IN FURNISHING INFORMATION TO OTHERS, OR FOR ANY OTHER PURPOSE DETRIMENTAL TO THE INTERESTS OF ANALOG DEVICES. THE EQUIPMENT SHOWN HEREON MAY BE PROTECTED BY PATENTS OWNED OR CONTROLLED BY ANALOG DEVICES.

SDP CONNECTOR

REVISIONS			
REV	DESCRIPTION	DATE	APPROVED

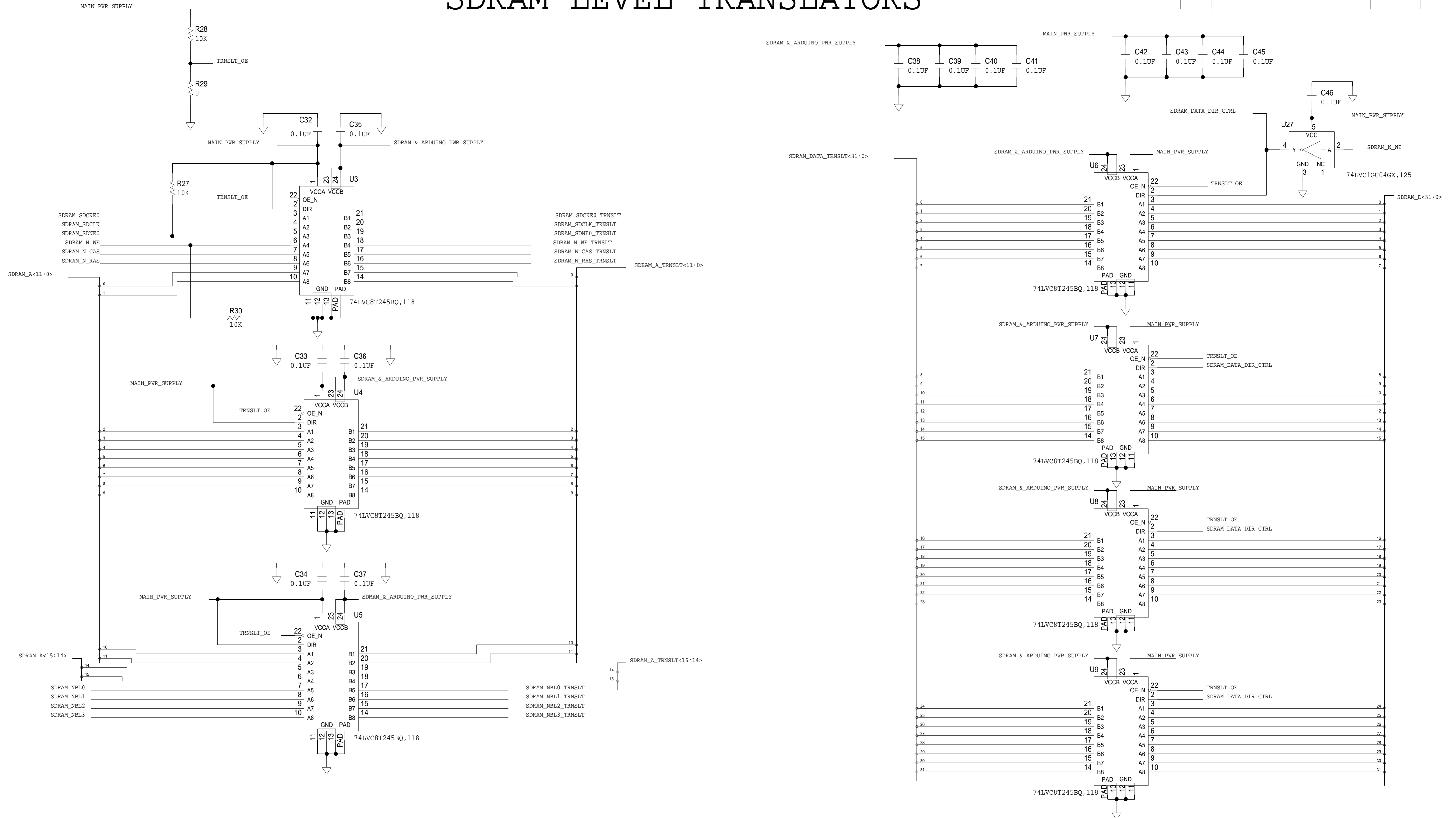
THE SDP CONNECTOR IMPLEMENTS THE E13 CONNECTOR SPECIFICATION STANDARD. THIS IS A STANDARD FOR USE ACROSS ADI AND CANNOT BE MODIFIED



<p>THIS DRAWING IS THE PROPERTY OF ANALOG DEVICES INC. IT IS NOT TO BE REPRODUCED OR COPIED, IN WHOLE OR IN PART, OR USED IN ANY MANNER WITHOUT THE WRITTEN PERMISSION OF ANALOG DEVICES. THE EQUIPMENT SHOWN HEREIN MAY BE PROTECTED BY PATENTS OWNED OR CONTROLLED BY ANALOG DEVICES.</p>	SCHEMATIC		
	HW TYPE : Customer Evaluation Product(s) : N/A : N/A		
	DESIGN VIEW <DESIGN_VIEW>	DRAWING NO. 02_049259	REV B
	PTD ENGINEER <PTD_ENGINEER>	SIZE D	SCALE 1:1
		SHEET 9 OF 11	

SDRAM LEVEL TRANSLATORS

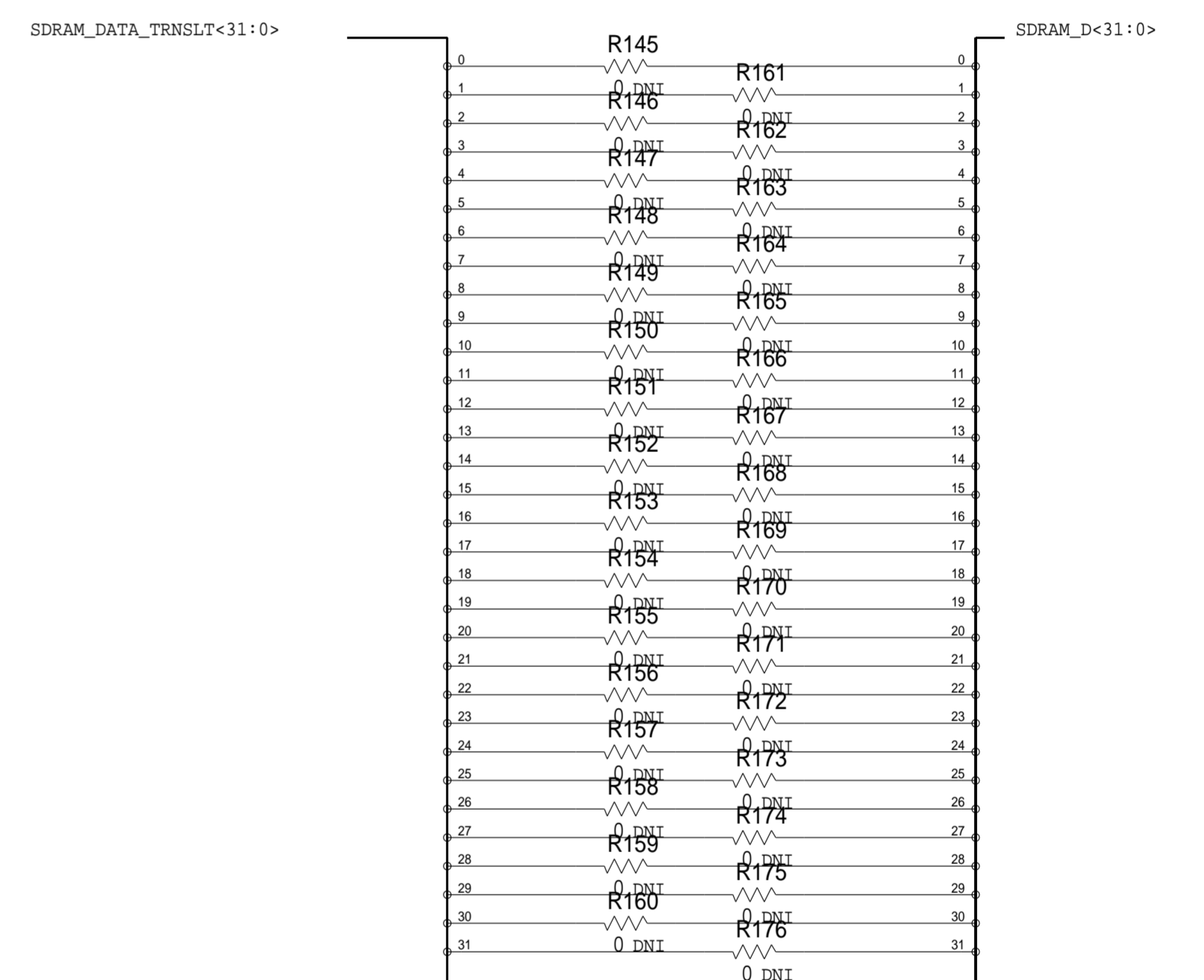
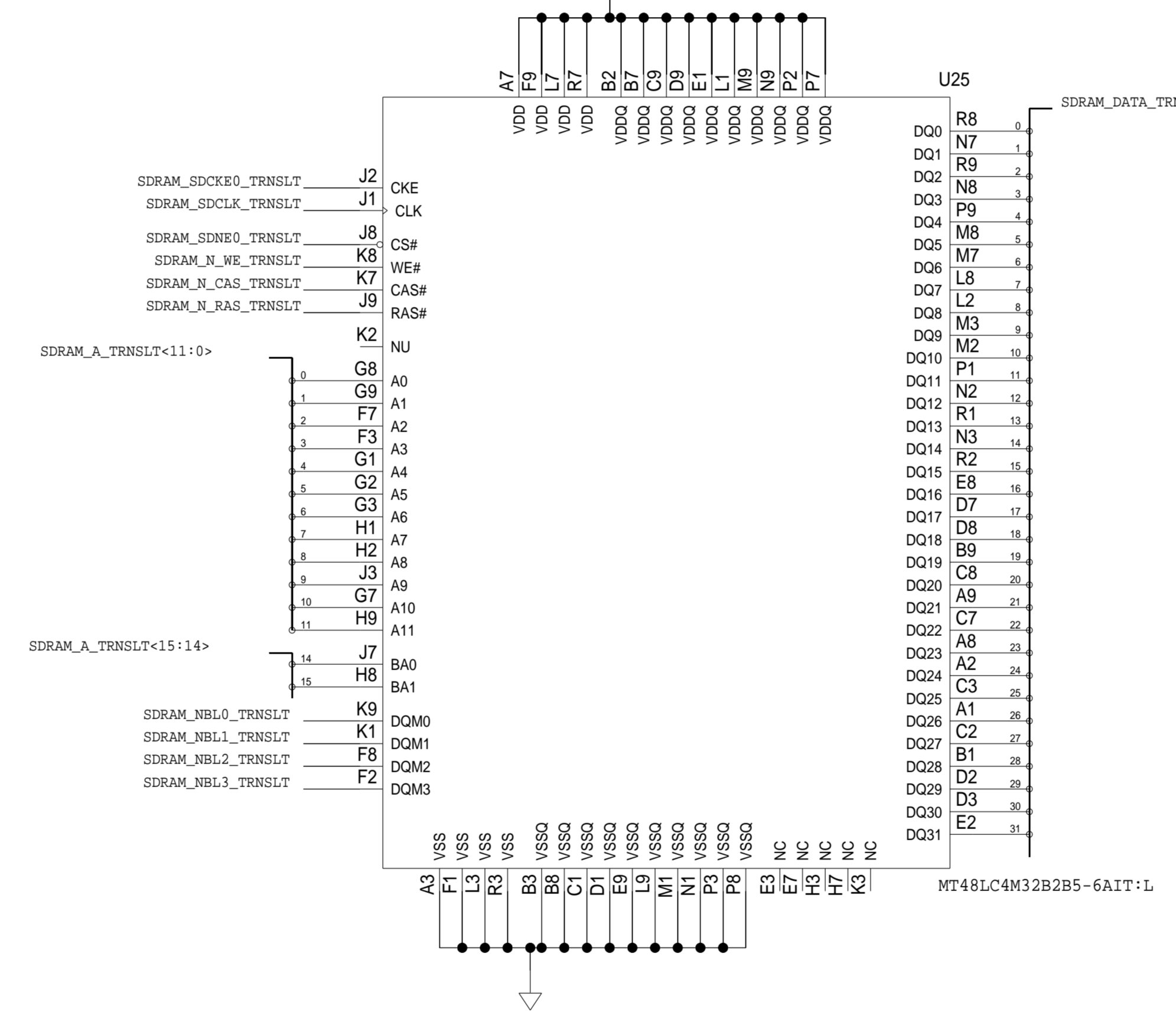
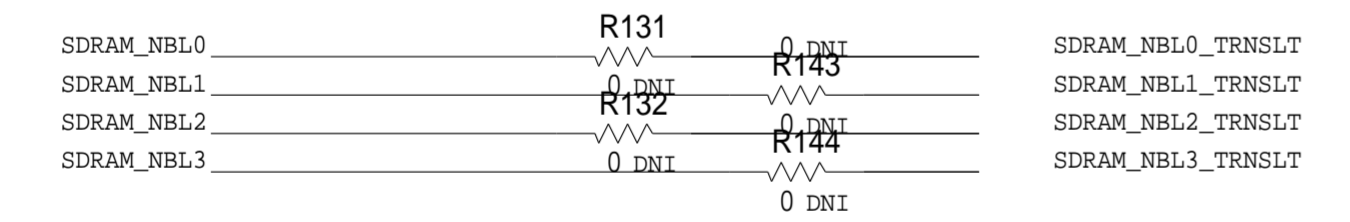
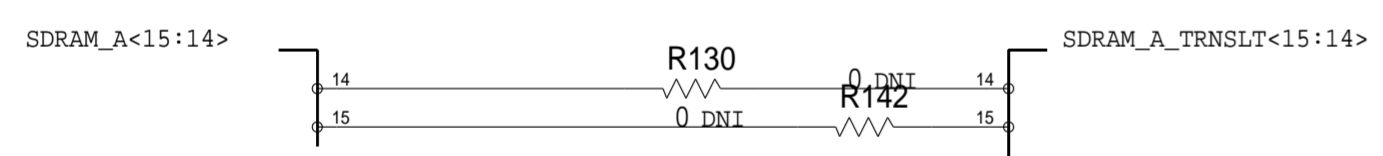
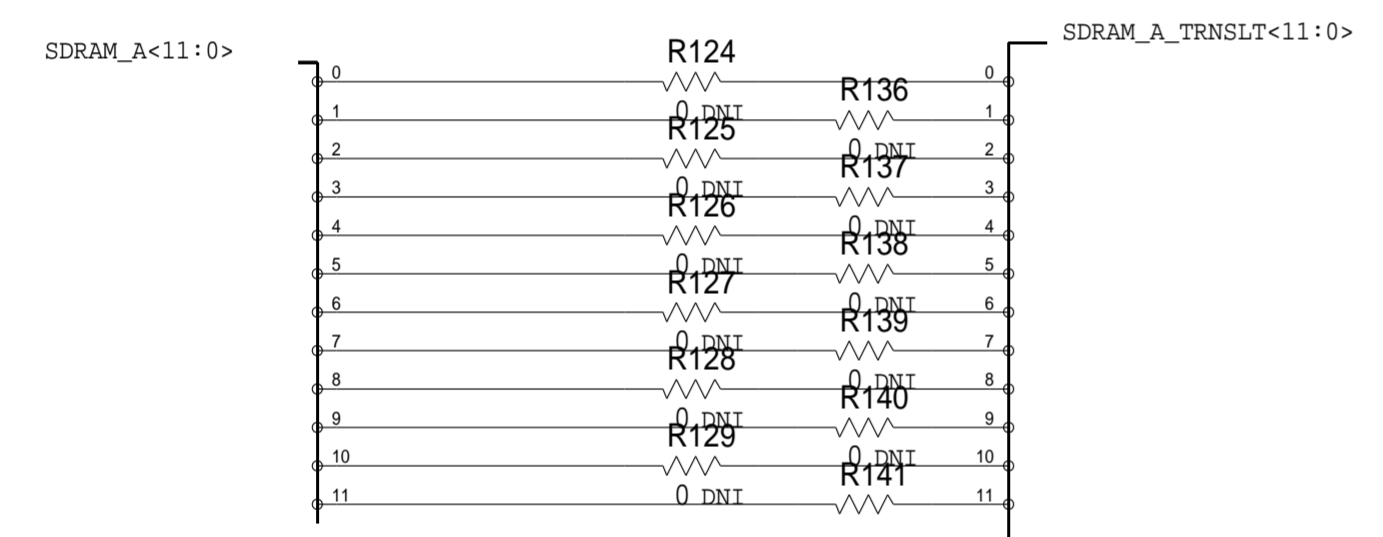
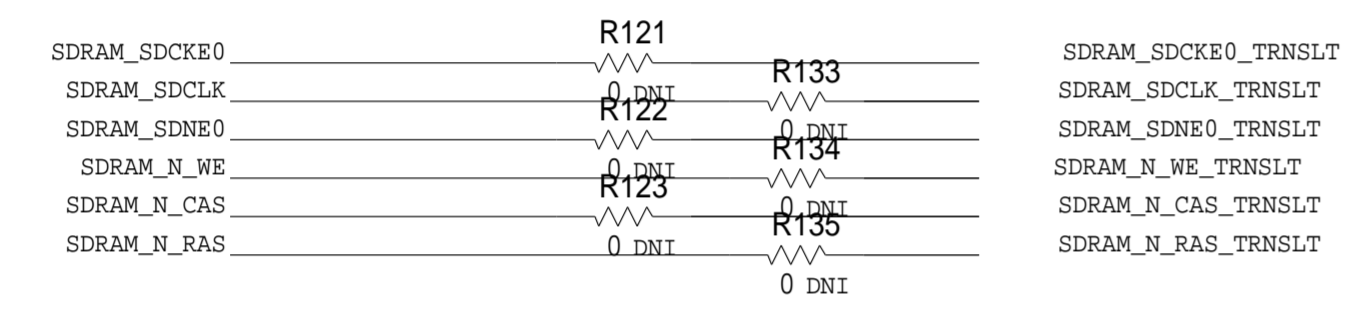
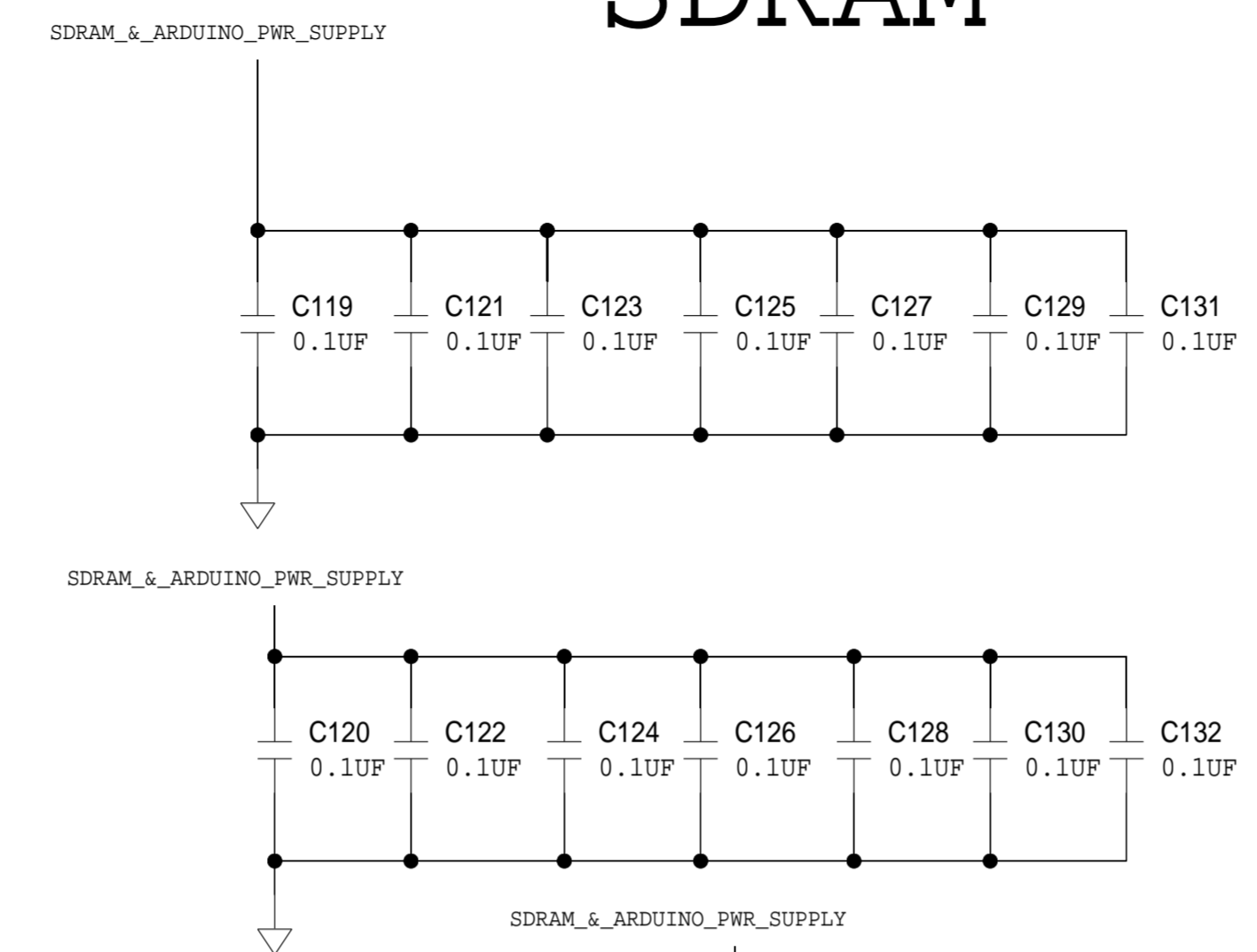
REVISIONS			
REV	DESCRIPTION	DATE	APPROVED



	SCHEMATIC		
	HW TYPE : Customer Evaluation		
	Product(s) : N/A		
	: N/A		
DESIGN VIEW	DRAWING NO.	REV	
<DESIGN_VIEW>	02_049259	B	
PTD ENGINEER	SIZE	SCALE	
<PTD_ENGINEER>	D	1:1	SHEET 10 OF 11

REVISIONS			
REV	DESCRIPTION	DATE	APPROVED

SDRAM



	SCHEMATIC		
	HW TYPE : Customer Evaluation		
	Product(s) : N/A		
	: N/A		
DESIGN VIEW	DRAWING NO.	REV	
<DESIGN_VIEW>	02_049259	B	
PTD ENGINEER	SIZE	SCALE	
<PTD_ENGINEER>	D	1:1	SHEET 11 OF 11