

# GR-MANGO(mbed-RZ/A2M)

## Circuit schematic

【 X71A-M01-B 】

Released under the Creative Commons Attribution Share-Alike 3.0 License  
<http://creativecommons.org/licenses/by-sa/3.0>

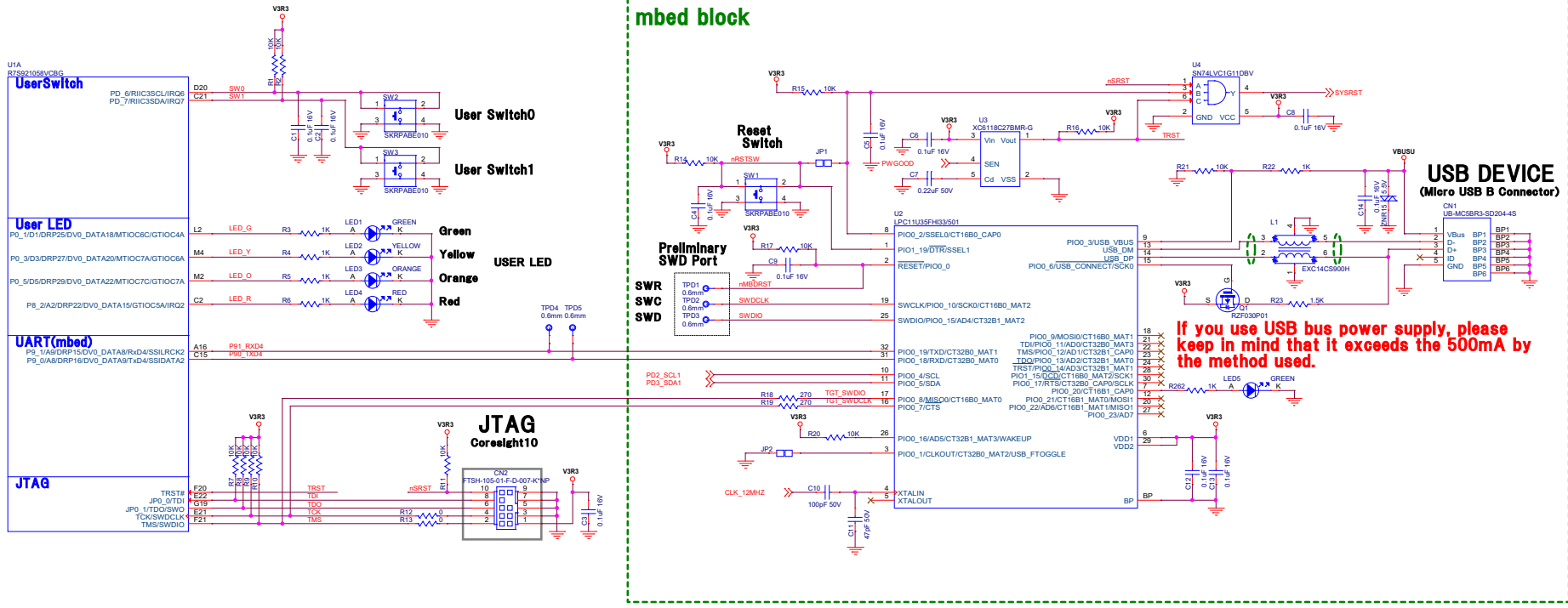
GR-MANGO Design by Core Corporation

SHT.1 Title Sheet  
SHT.2 mbed-IF / Switch / LED / JTAG Block  
SHT.3 Strage Block  
SHT.4 USB Block  
SHT.5 CAN/Ethernet Block  
SHT.6 HDMI / LCD IF / Audio CODEC Block  
SHT.7 Expansion I/F / MIPI / Camera IF Block  
SHT.8 Clock / BootMode / Power Block

**Core Co.Ltd.,**

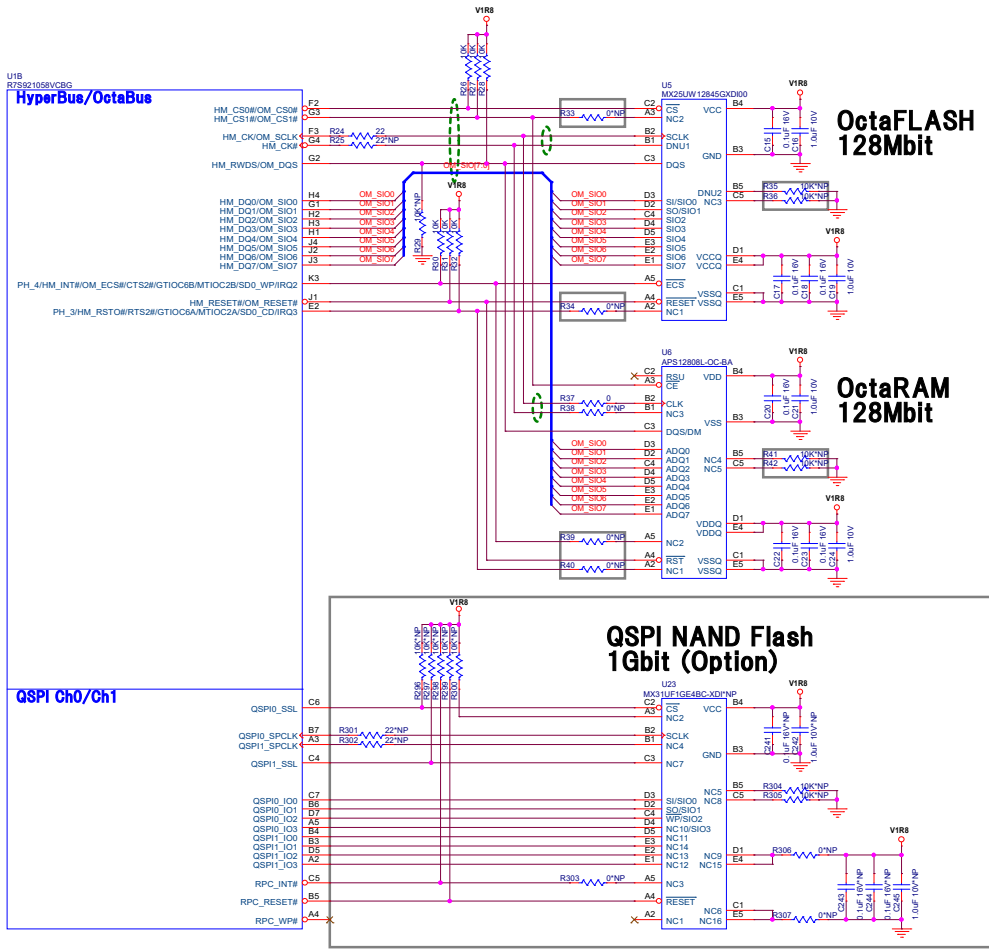
File	GR-MANGO(mbed-RZ/A2M) Board Circuit	
Size	Document Number	Rev
	X71A-M01-B	3
Date	Wednesday, March 25, 2020	Sheet 0 of 8

# SHT.2 mbed-IF / Switch / LED / JTAG Block

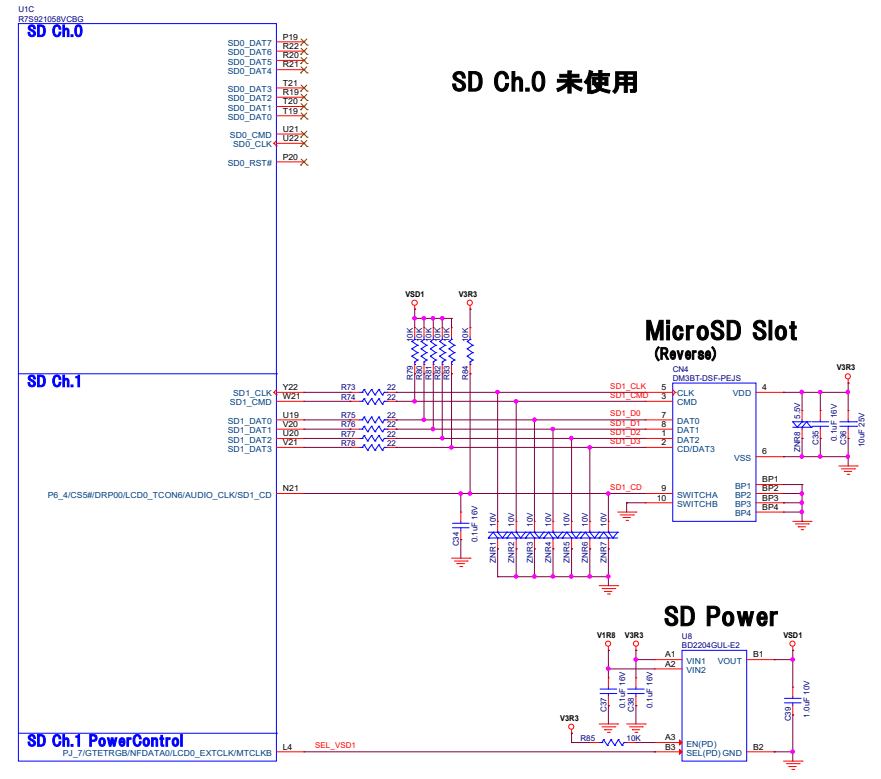


**Notice:** This board is not compatible with 5V tolerant signal.

SHT.3 Strage Block



OctaFLASH / OctaRAM

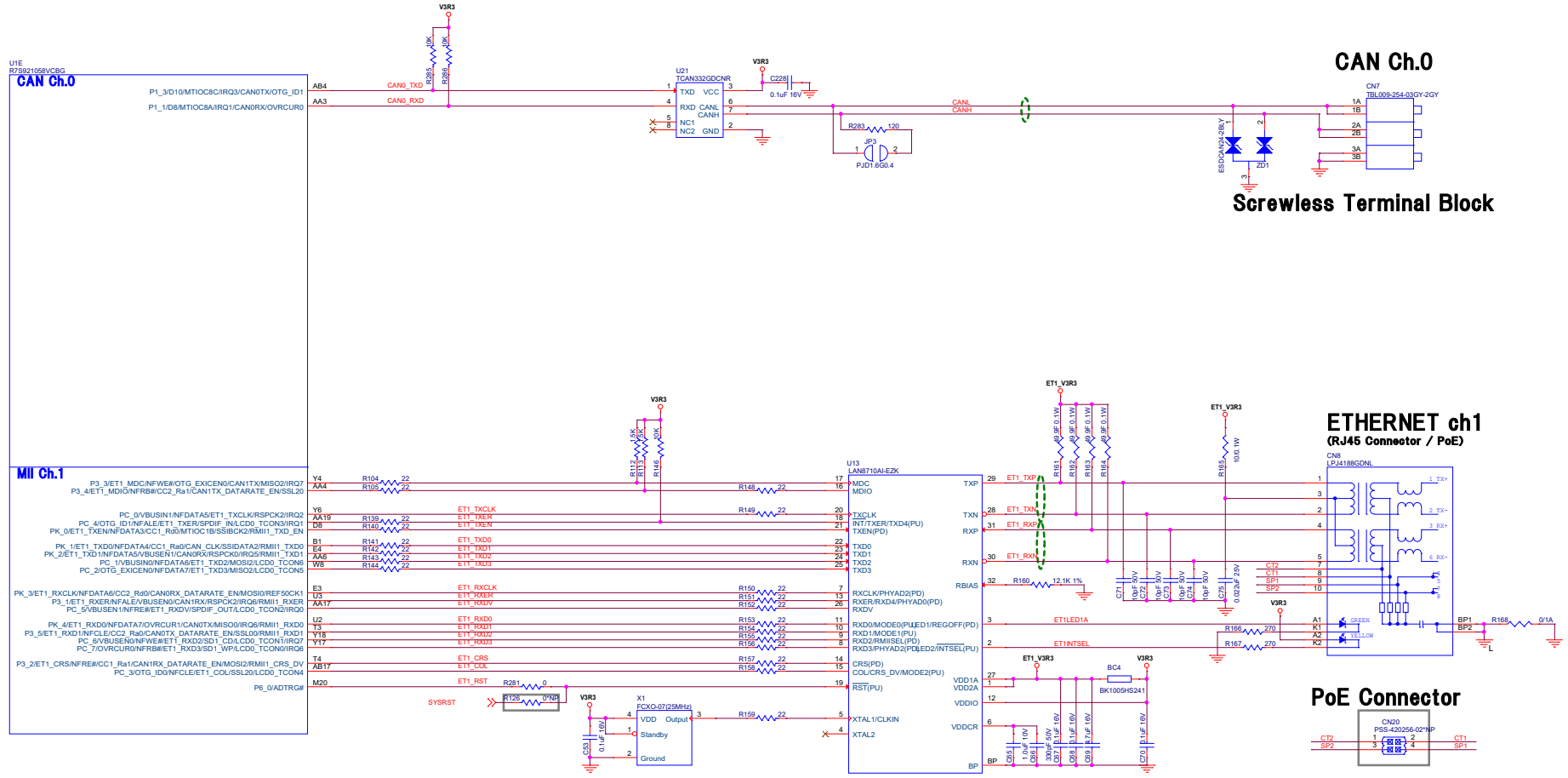


MicroSD

Core Co.Ltd.,

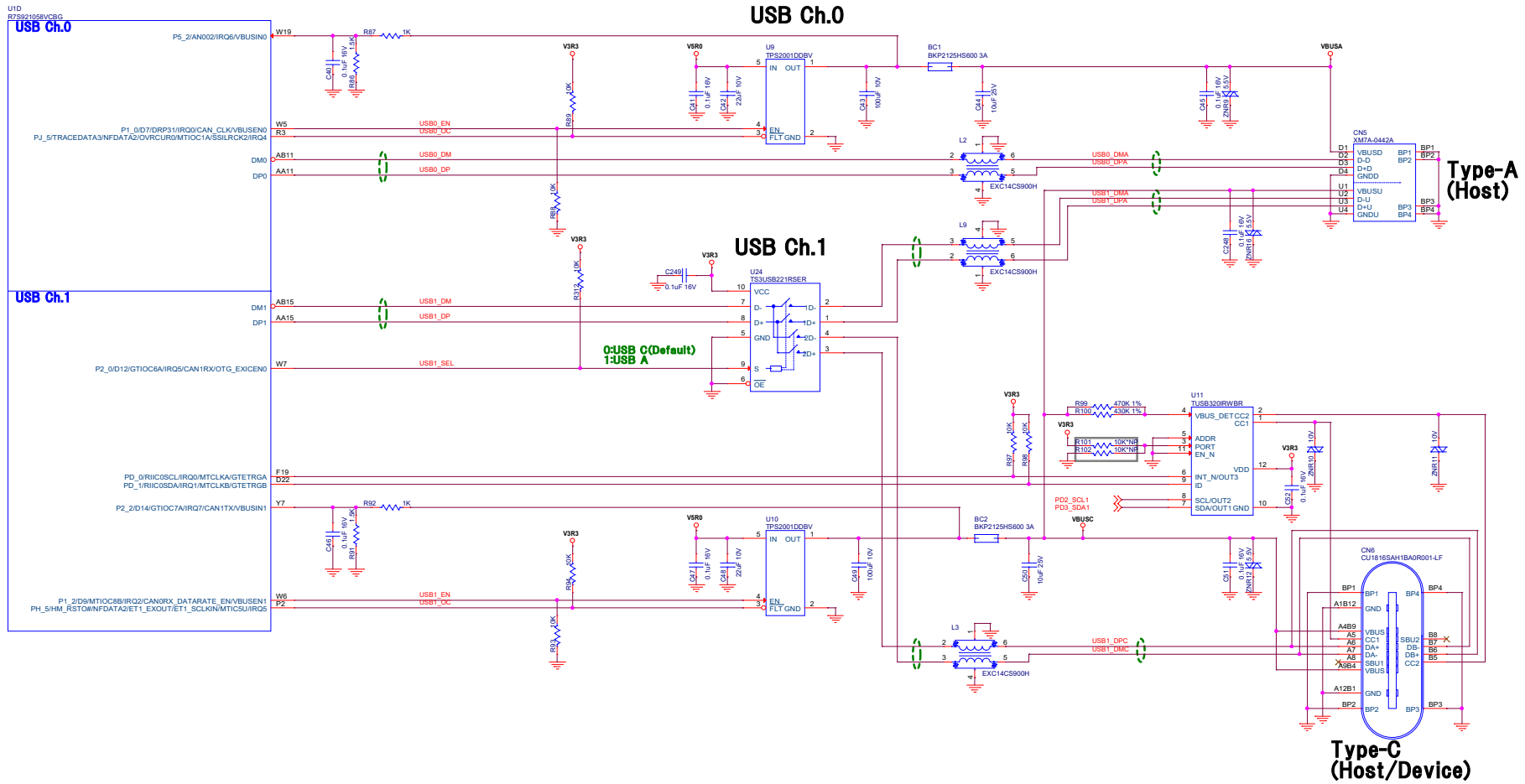
Notice:This board is not compatible with 5V tolerant signal.

# SHT.5 CAN/Ethernet Block



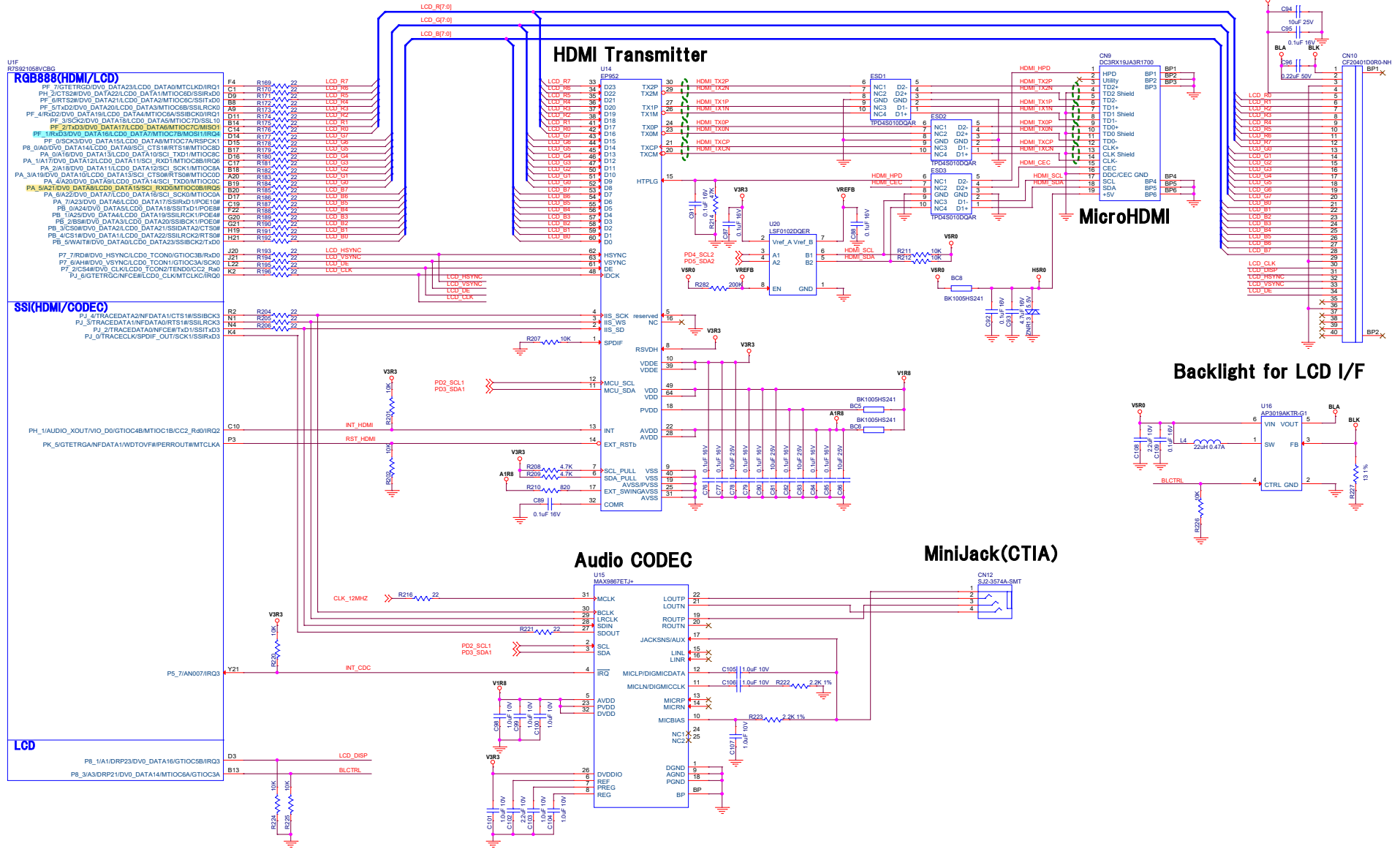
Notice: This board is not compatible with 5V tolerant signal.

# SHT.4 USB Block



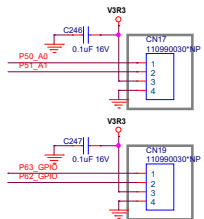
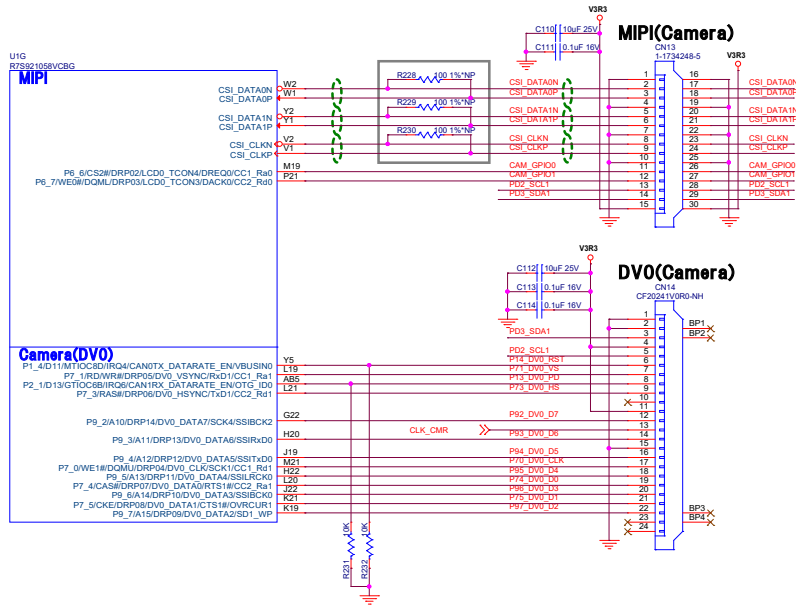
Notice: This board is not compatible with 5V tolerant signal.

# SHT.6 HDMI / LCD IF / Audio CODEC Block

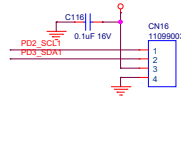


Notice: This board is not compatible with 5V tolerant signal.

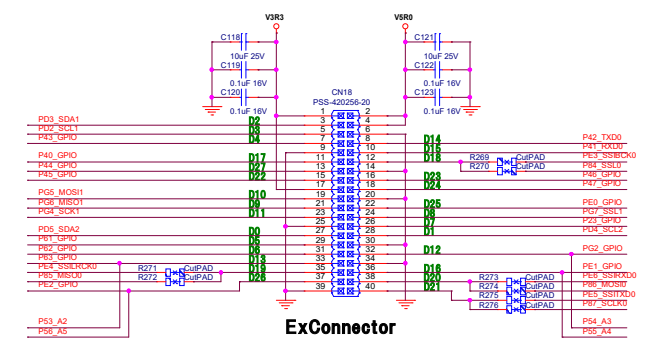
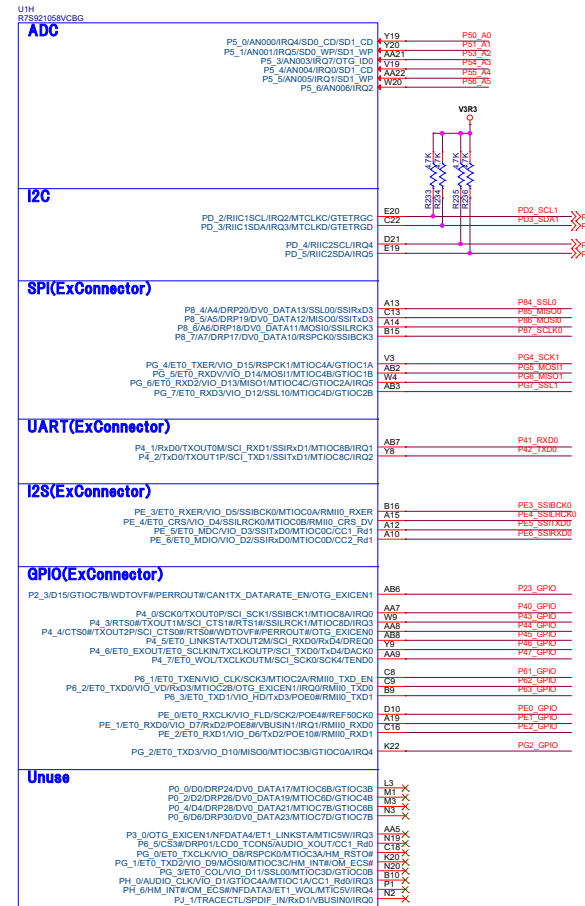
# SHT.7 Expansion I/F / Camera I/F(MIPI/DVO) Block



ADC/UART Connector (Back)



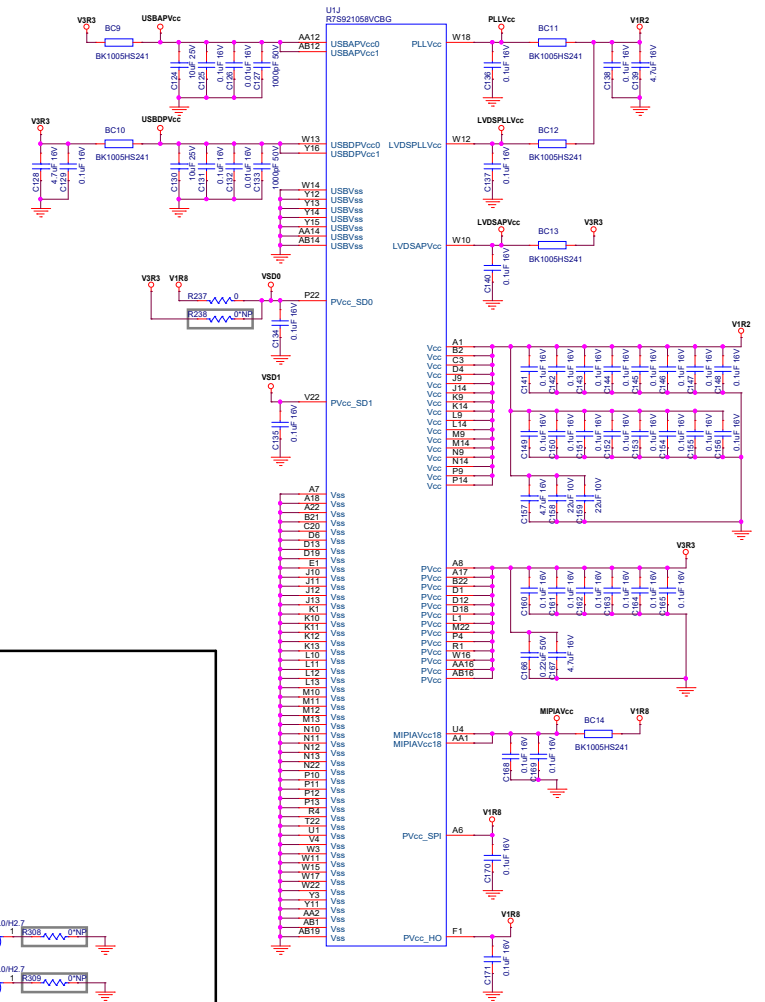
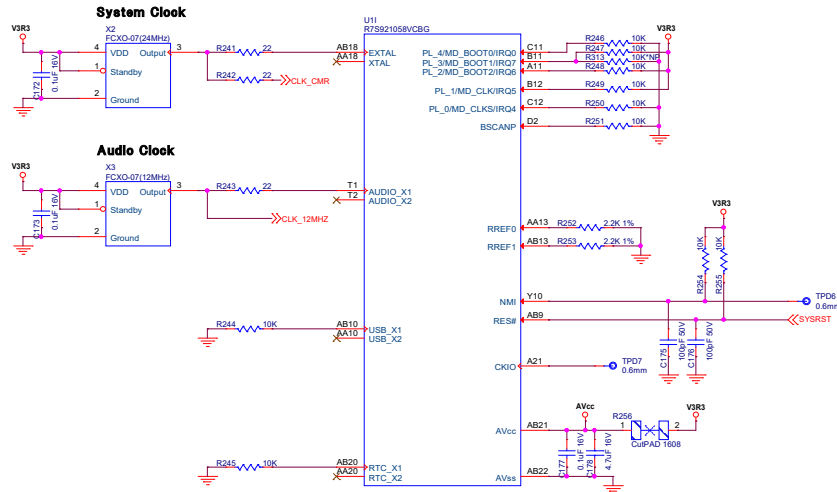
I2C Connector (Front)



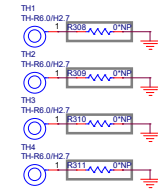
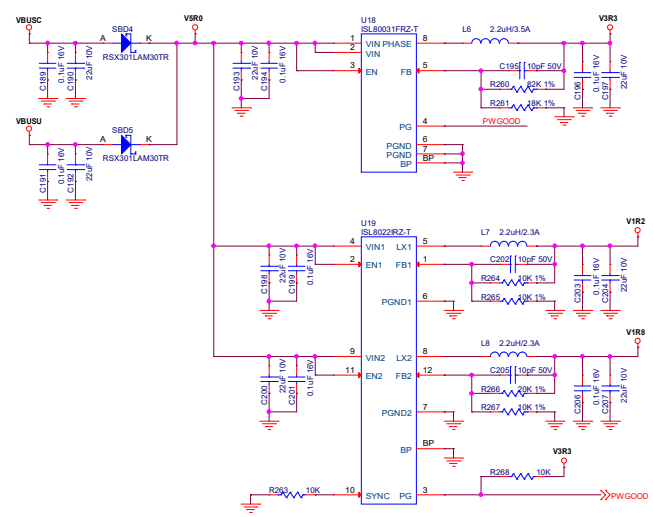
ExConnector

Notice: This board is not compatible with 5V tolerant signal.

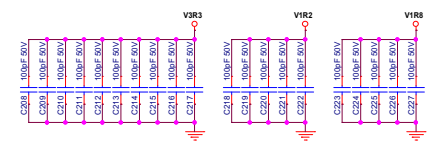
# SHT.8 Clock / BootMode / Power Block



## Main Power(3.3V / 1.2V / 1.8V)



固定用穴



Notice: This board is not compatible with 5V tolerant signal.