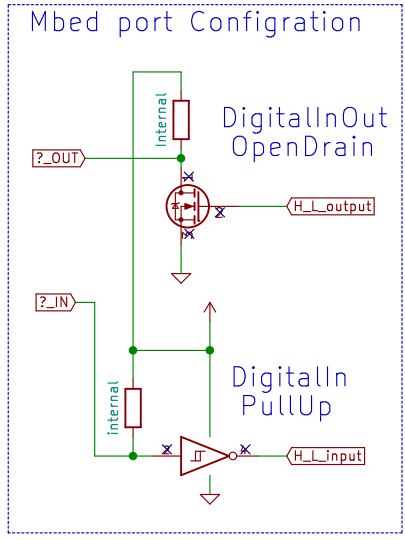


Recommend  
(none Pull-up R)  
Simple

Recommend  
Simple



<https://os.mbed.com/users/kenjiArai/code/Keypad/>

Sheet: /  
File: keypad\_mbed.sch

**Title: Mbed Keypad library / 5x5 keys**

Size: A4	Date: 2020-05-01	Rev: rev.1.0
KiCad E.D.A. kicad (5.1.4)-1		Id: 1/1