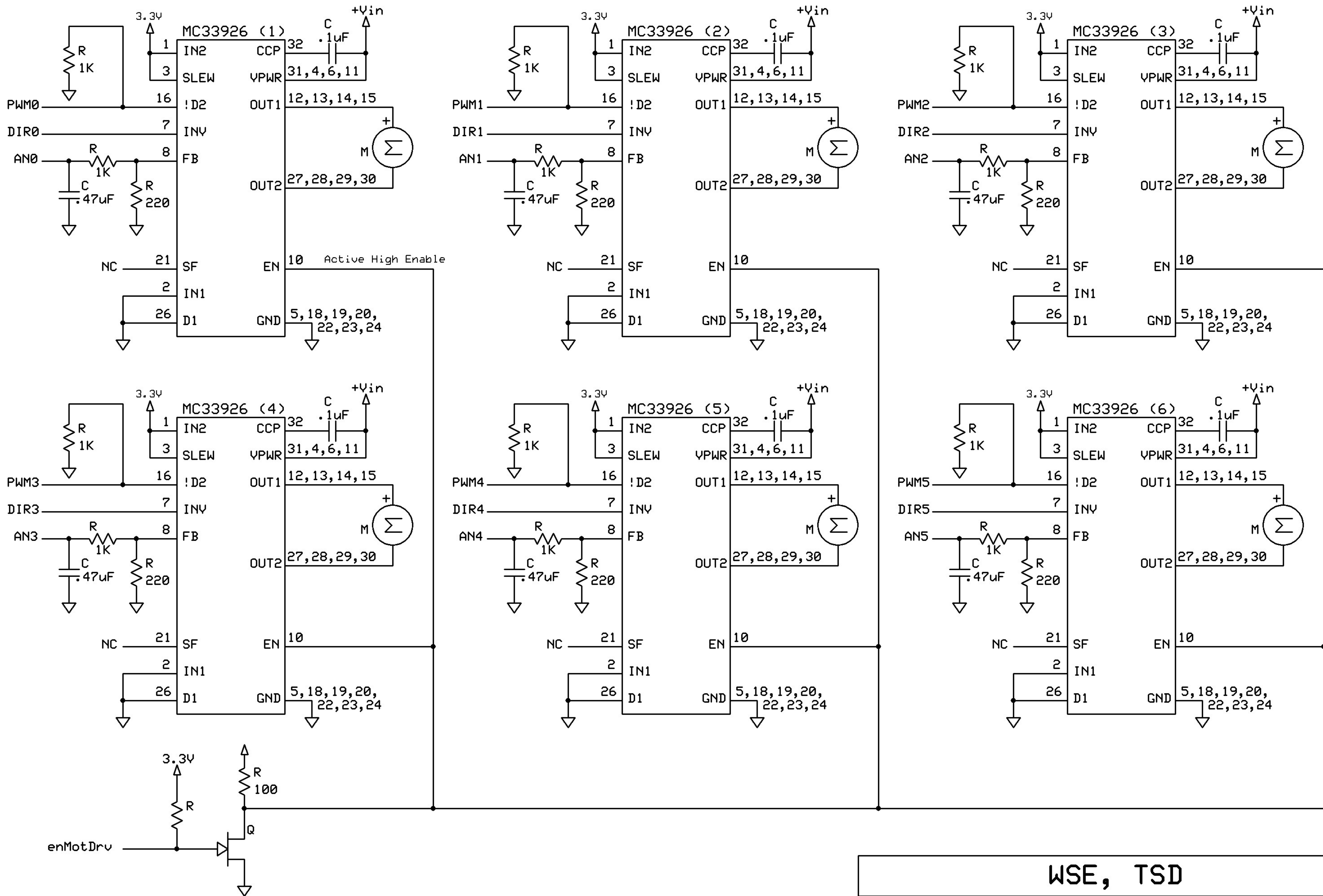
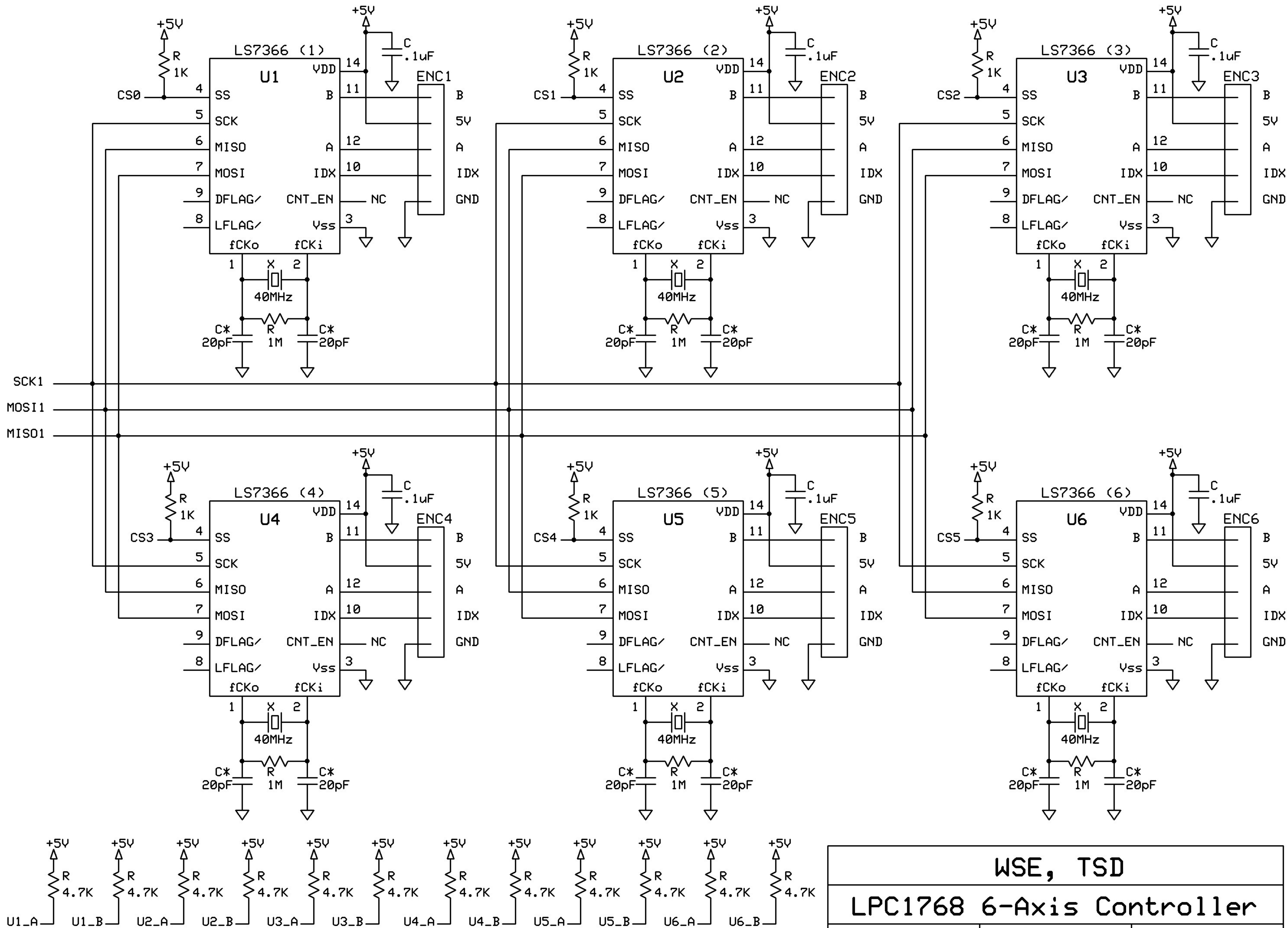
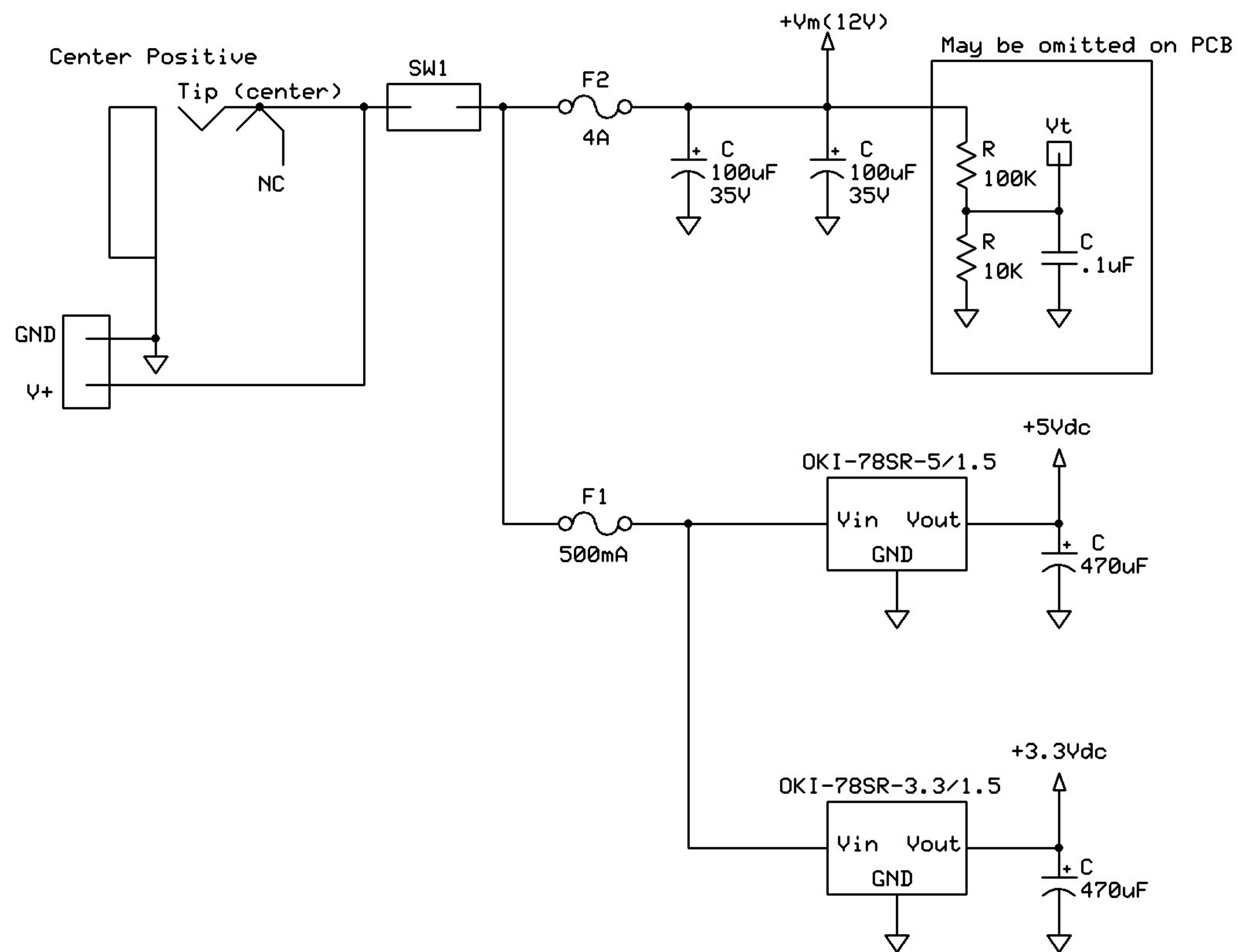


*- pin13 is attached to Vcc for LPC2368 compatibility
 **-Solder pull-up resistor to write protect





* - All 20pF oscillator caps are not populated on production PCB's



WSE, TSD

LPC1768 6-Axis Controller

J. Bradshaw

Rev 1.0
6/24/2016

Page # 4 of 4