



Housing Material: Polyester, Black UL94V-0
 Contacts: Phosphor Bronze 30µin Au plating over Ni
 Leads: Matte Sn over Ni plating
 Shield: Cu Alloy with Ni plating 40µin min
 Durability: 1000 mating cycles
 Dimensions: Inch [mm]
 Tolerances: ±0.008 inch if not specified



PART NO. : HFJ11-2450E-L11RL

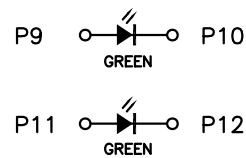
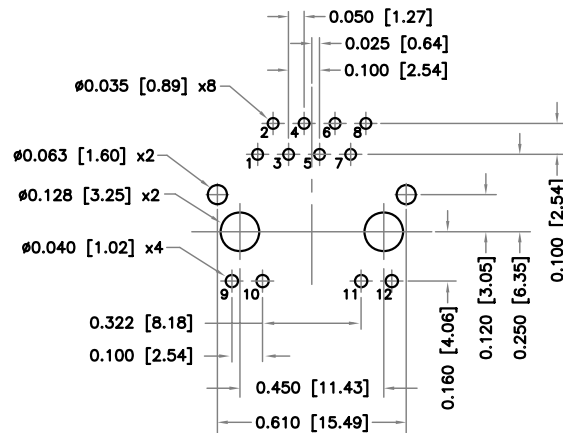
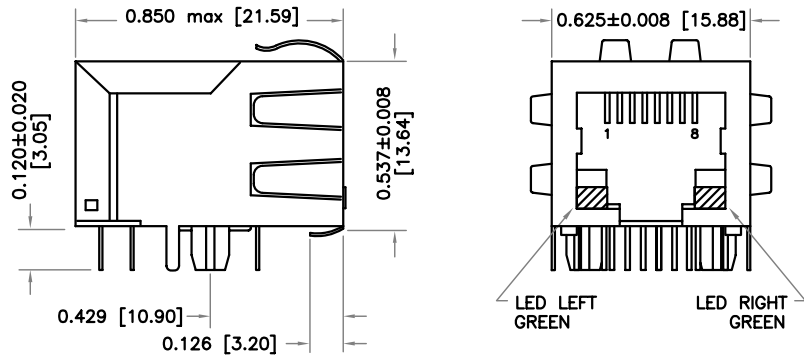
FASTJACK™ WITH 10/100BASE-TX MAGNETICS
 RoHS COMPLIANT

COMPATIBLE TO LEAD-FREE WAVE SOLDERING PROCESS
 FOR THROUGH HOLE COMPONENTS

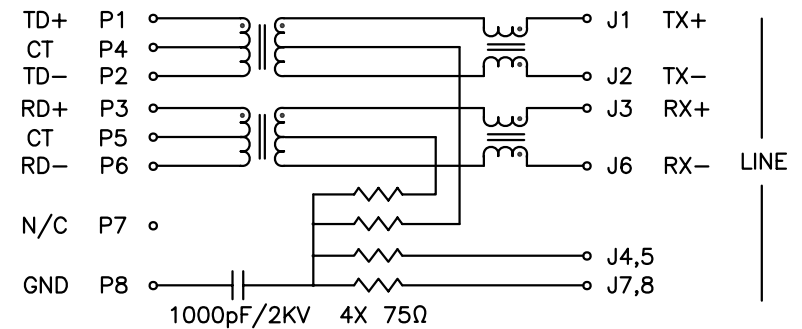
OPERATING TEMPERATURE 0/70°C

ELECTRICAL SPECIFICATIONS @ 25° C

URNS RATIO	1CT:1 ±3%
OCL (100KHz,0.1Vrms,8mA)	350µH min
DCR P1-P2,P3-P6	0.9Ω max
INSERTION LOSS 0.1-100MHz	-1.1dB max
RETURN LOSS 0.5-30MHz	-18dB min
40MHz	-15.5dB min
50MHz	-13.6dB min
60-80MHz	-12dB min
CROSSTALK 0.1-100MHz	-40dB typ
CMR 0.1-30MHz	-50dB typ
30-60MHz	-40dB typ
60-100MHz	-35dB typ
ISOLATION	1,500Vrms



LED FORWARD VOLTAGE/
 CURRENT: 2.1V/10mA typ



RECOMMENDED P.C. BOARD PATTERN (COMP. SIDE)

HALO/PBL

CALIFORNIA, USA
 KOWLOON, HONG KONG
 SINGAPORE

TITLE	FastJack™ SINGLE	SIGNATURES	DATE	REV.	DESC.	DATE
FOR	FAST ETHERNET	DRAWN	PETER LU	9/21/04	A	FIRST ISSUE
PART NO.	HFJ11-2450E-L11RL	CHECKED	LEI KEONG	8/15/05	B	PROD. RELEASE
SCALE	NONE	APPROVED	PETER LU	8/15/05		
PAGE	1 OF 1	FILE	FJ112450E-L11RL.DWG			