

Example Interfaces to LPC4088 QuickStart Board

- I2C
- SPI
- UART
- RS232
- RS422/485
- CAN
- Memory card MCI
- Memory card SPI
- USB Device
- USB Host
- Power Supplies
- Display Expansion

UL = UnLoaded = normally not mounted component.

Default jumper settings are indicated in the schematic.
However, always check jumper positions on actual boards
since there is no guarantee that all jumpers are in default place.

Rev PA1
First revision



© Embedded Artists AB

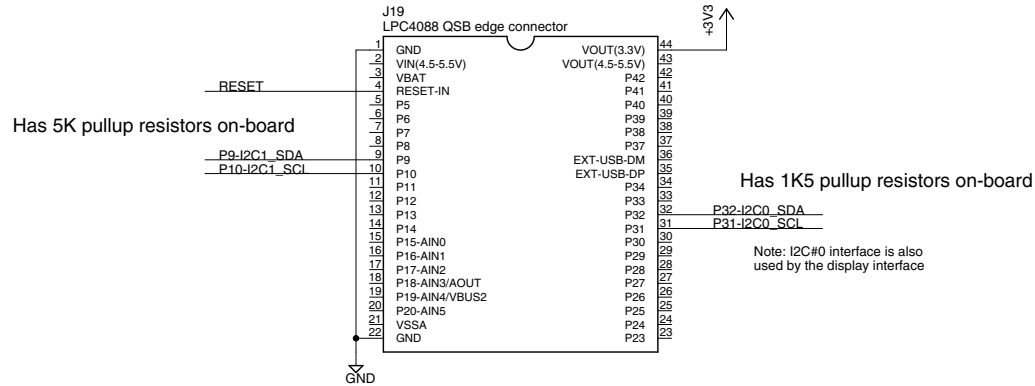
TITLE: LPC4088 QSB interface ex rev PA1

Document Number:

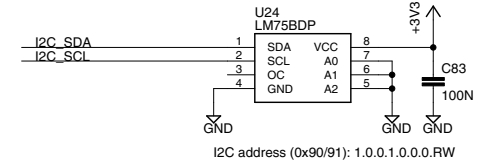
Date: 2013-10-02 17:59:43

Sheet: 1/13

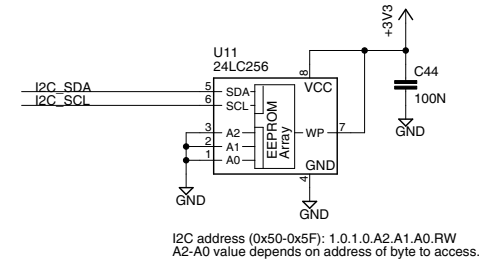
I2C Interface Examples



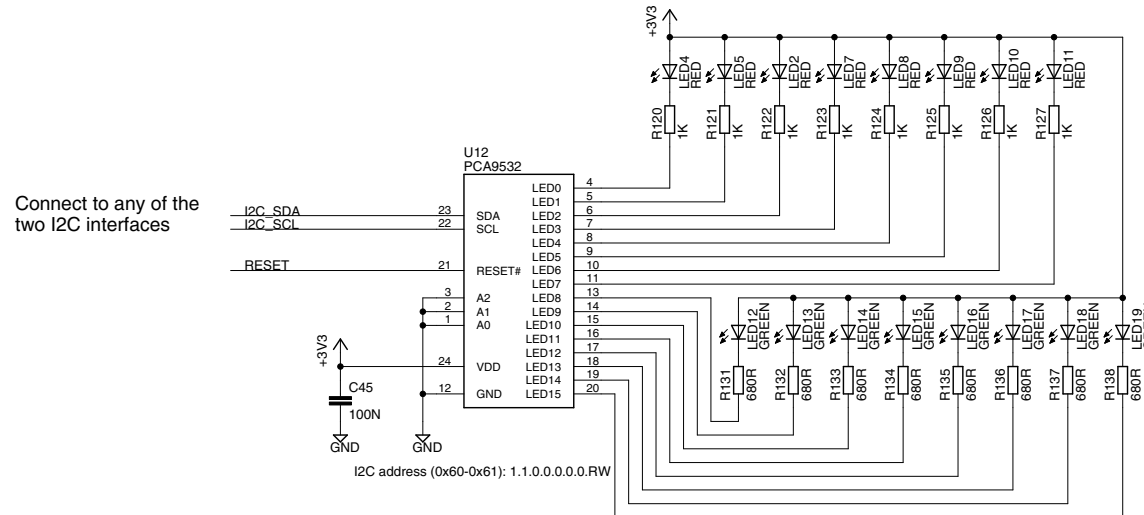
I2C Temperature Sensor (LM75)



256kbit I2C-E2PROM



PCA9532 I2C 16-bit Port Expander



© Embedded Artists AB

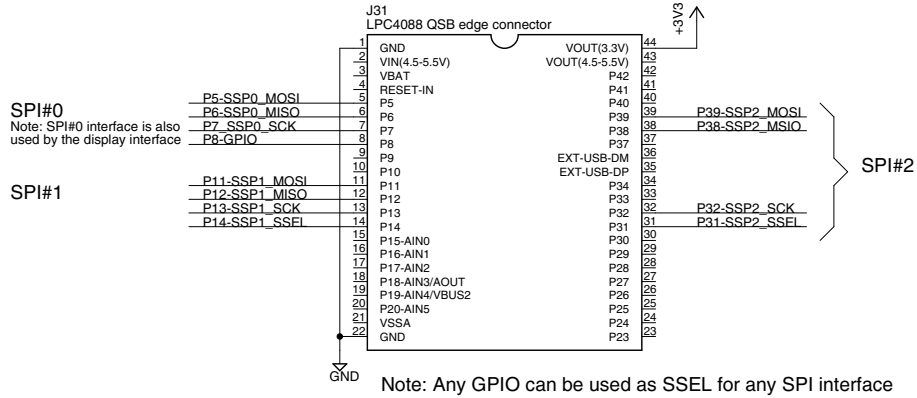
TITLE: LPC4088 QSB interface ex rev PA1

Document Number:

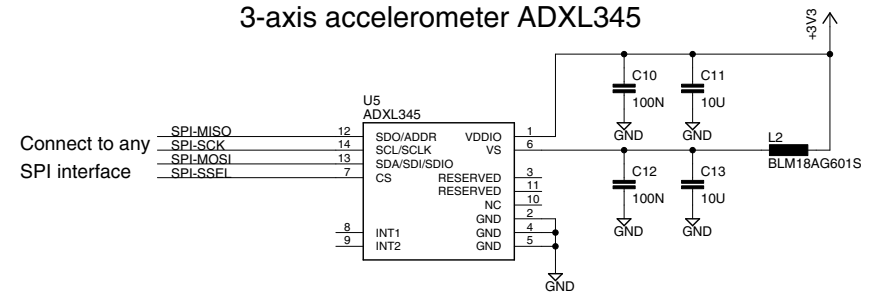
Date: 2013-10-02 17:59:43

Sheet: 2/13

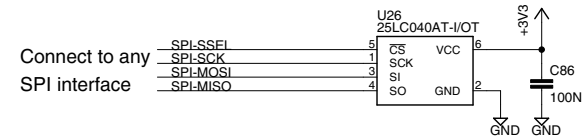
SPI Interface Examples



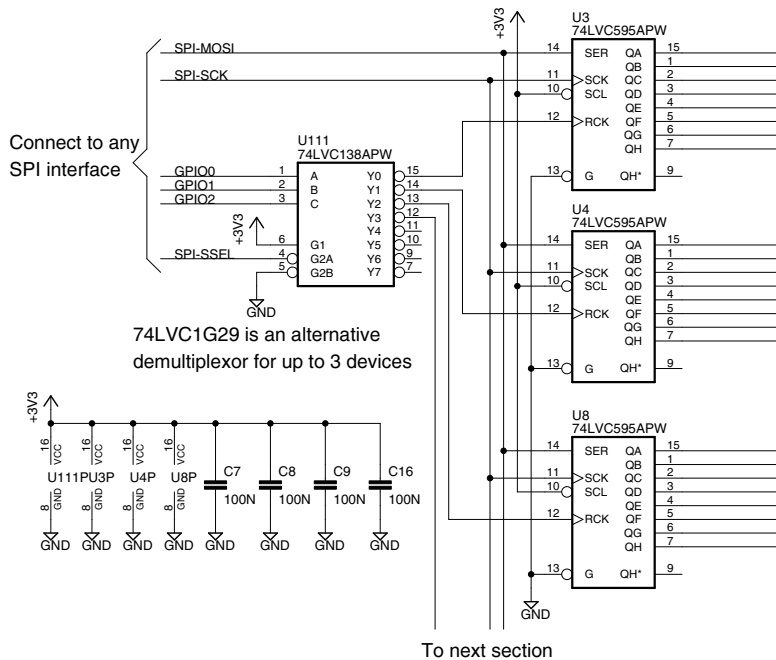
3-axis accelerometer ADXL345



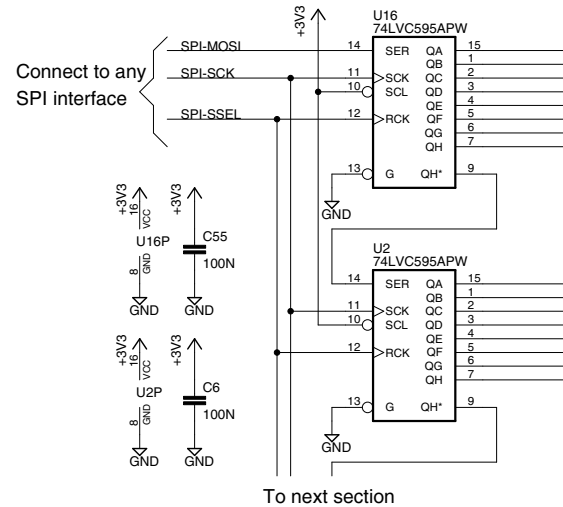
SPI E2PROM



Parallel connected registers



Cascaded shift registers



© Embedded Artists AB

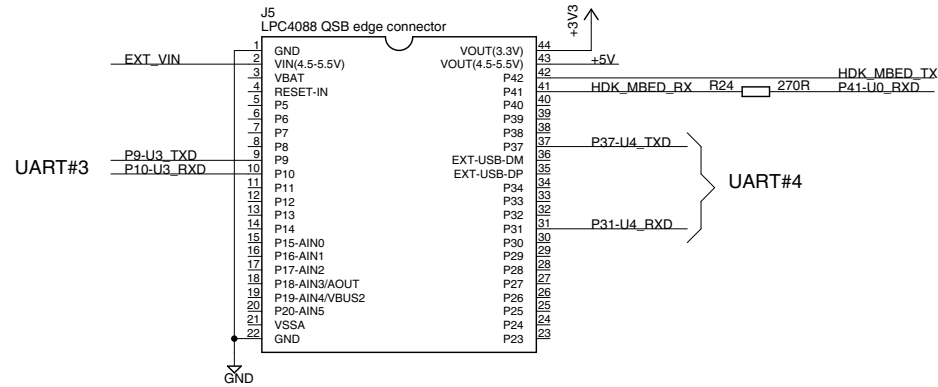
TITLE: LPC4088 QSB interface ex rev PA1

Document Number:

Date: 2013-10-02 17:59:43

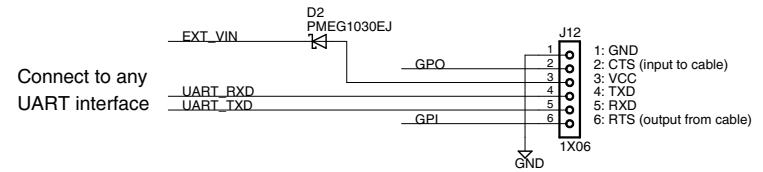
Sheet: 3/13

UART Interface Examples

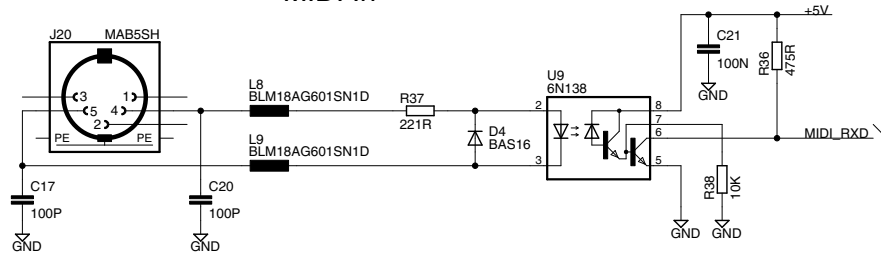


UART#0
 Note: UART#0 interface is connected to the on-board HDK interface
 Add series resistor to protect if HDK also transmits.

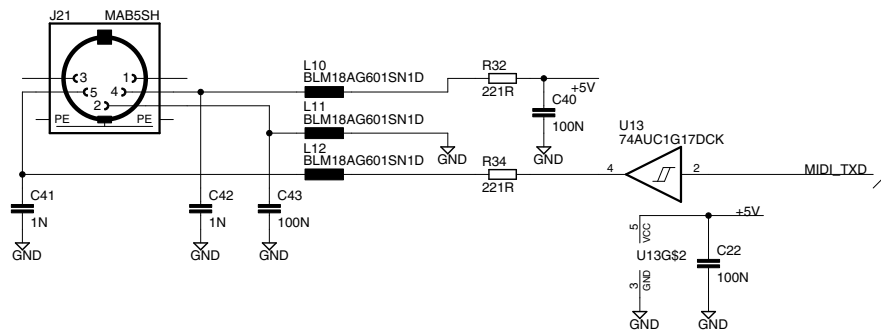
FTDI UART-to-USB Connector (TTL-232R-3V3)



MIDI In



MIDI Out



Connect to any
UART interface



© Embedded Artists AB

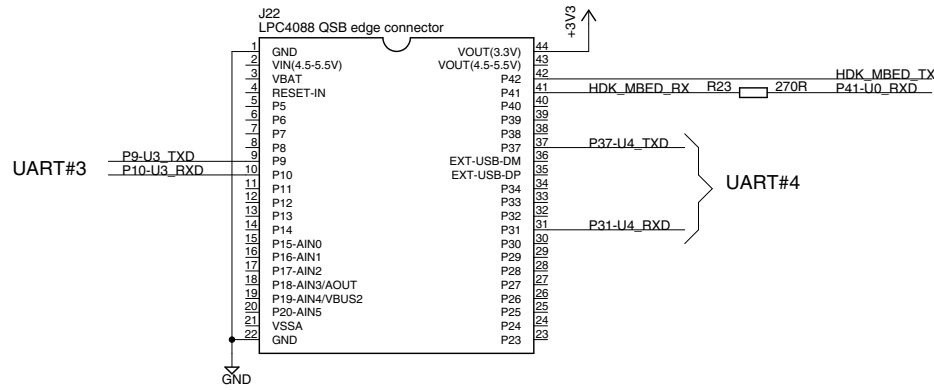
TITLE: LPC4088 QSB interface ex rev PA1

Document Number:

Date: 2013-10-02 17:59:43

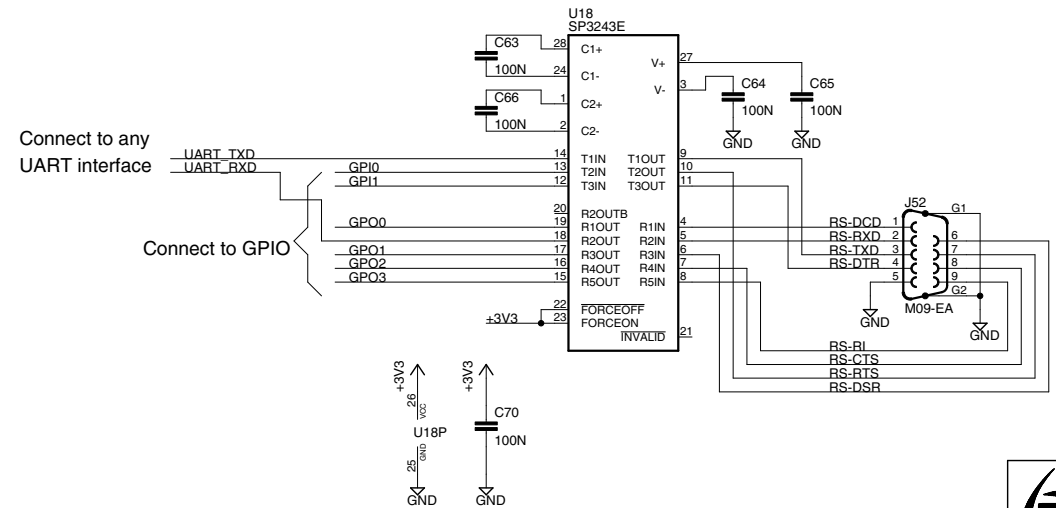
Sheet: 4/13

RS232 Interface Example

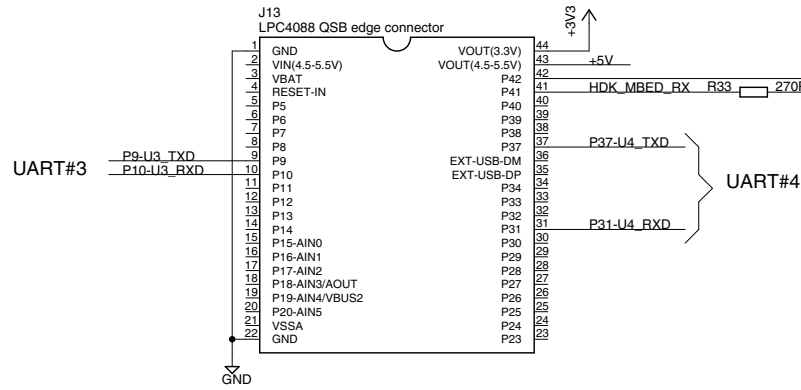


UART#0
 Note: UART#0 interface is connected to the on-board HDK interface
 Add series resistor to protect if HDK also transmits.

UART RS232 Full Modem

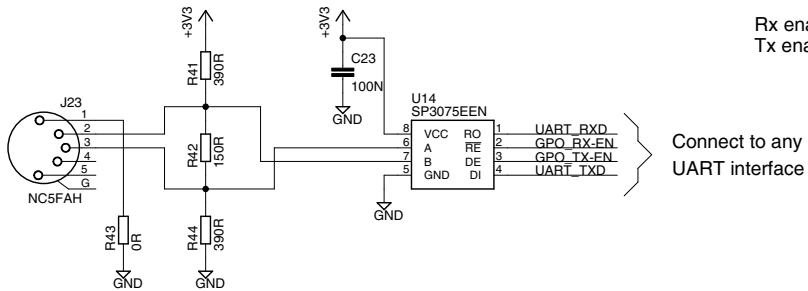


RS422/485 Interface Examples



UART#0
 Note: UART#0 interface is connected to the on-board HDK interface
 Add series resistor to protect if HDK also transmits.

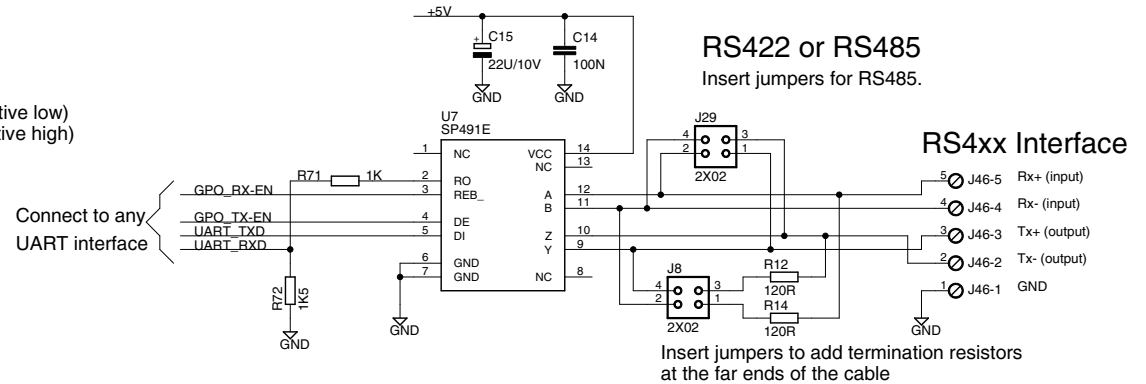
DMX Master (out) Interface



Rx enable (active low)
 Tx enable (active high)

Connect to any
 UART interface

RS422/RS485 transceiver



RS422 or RS485
 Insert jumpers for RS485.

RS4xx Interface

Insert jumpers to add termination resistors
 at the far ends of the cable



© Embedded Artists AB

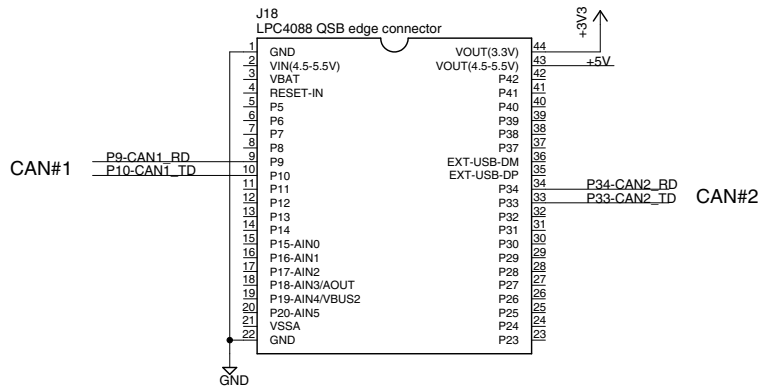
TITLE: LPC4088 QSB interface ex rev PA1

Document Number:

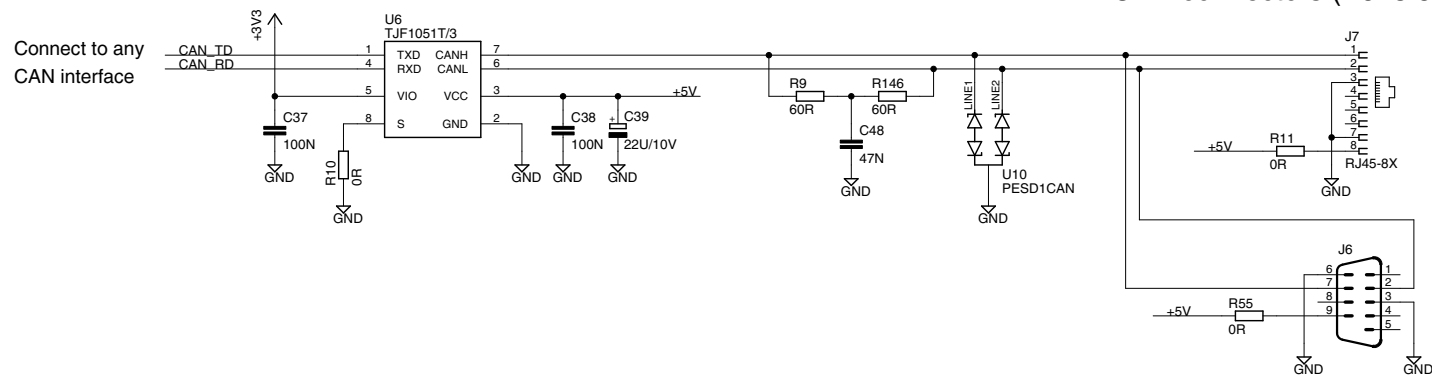
Date: 2013-10-02 17:59:43

Sheet: 6/13

CAN Interface Example



CAN interface CAN connectors (RJ45 & DSUB9)

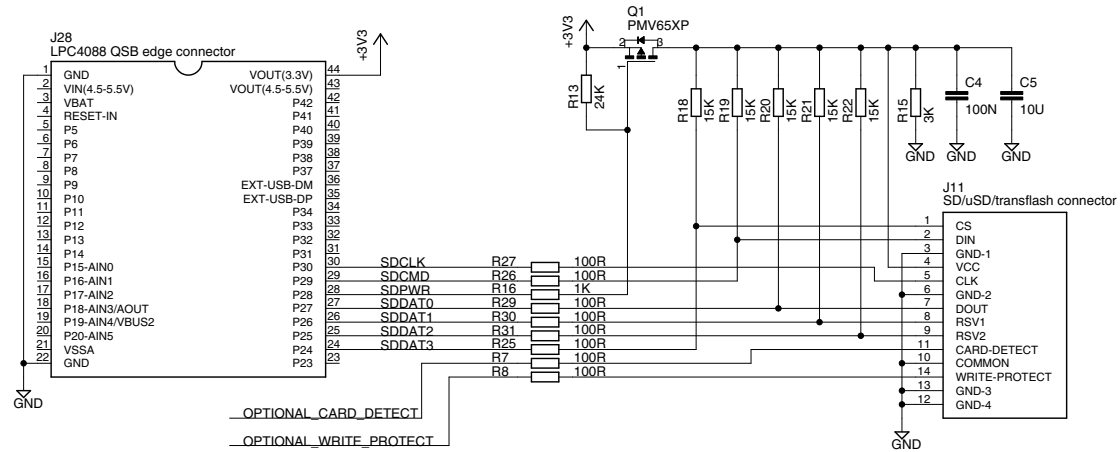


TE Connectivity, no. 5556416-1
(Digikey no. A31428-ND)

TE Connectivity, no. 1734351-1
(Digikey no. A35105-ND)

SD Memory Card Interface Example

SD Memory Card Interface Example - MCI Pheriperal



Note: ESD protection might be needed



© Embedded Artists AB

TITLE: LPC4088 QSB interface ex rev PA1

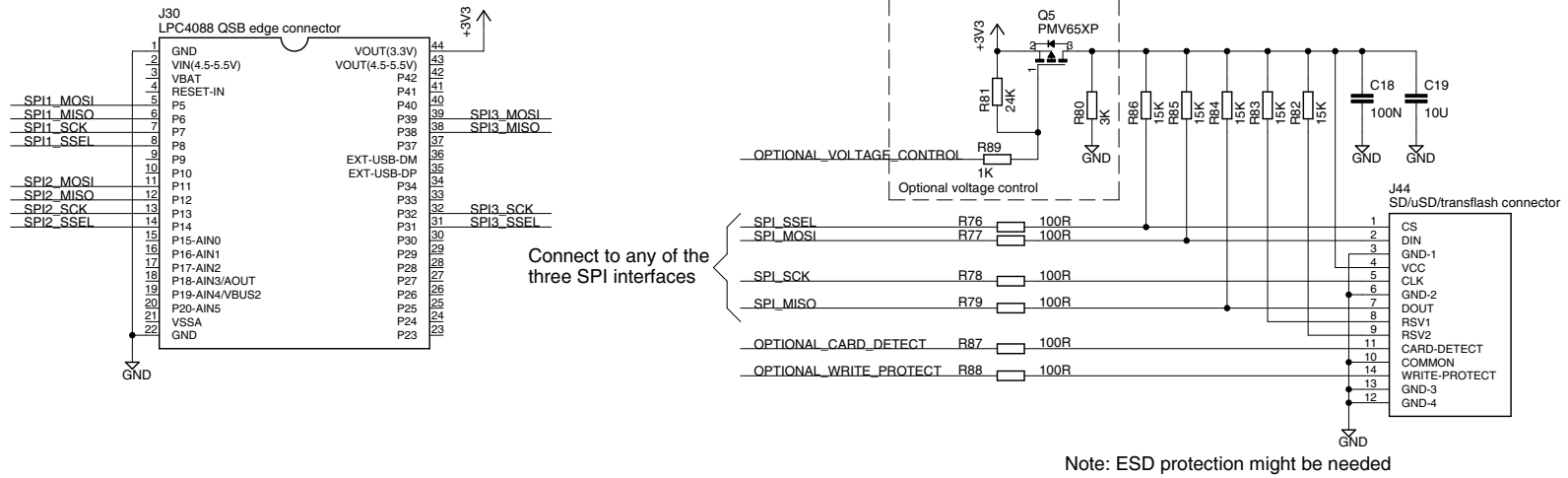
Document Number:

Date: 2013-10-02 17:59:43

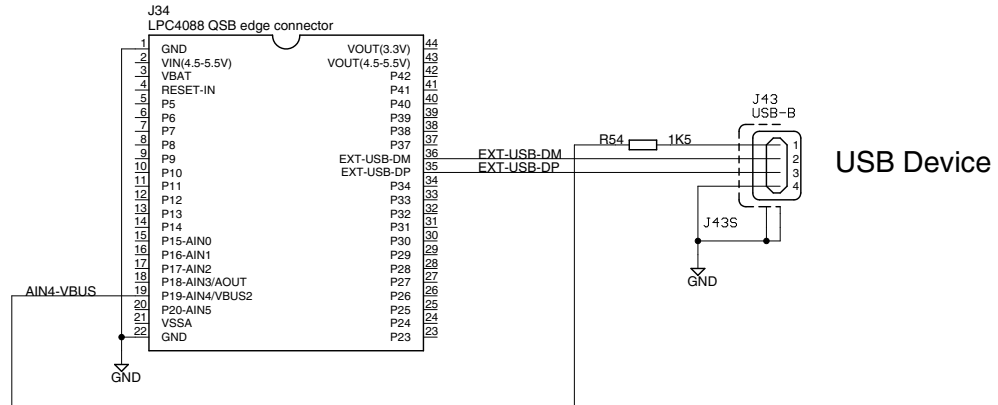
Sheet: 8/13

SD Memory Card Interface Example

Simplified SD Memory Card Interface Example - SPI



USB Device Interface Example



Note: JP1/JP2 jumpers on LPC4088 QSB must be in 2-3 position!



© Embedded Artists AB

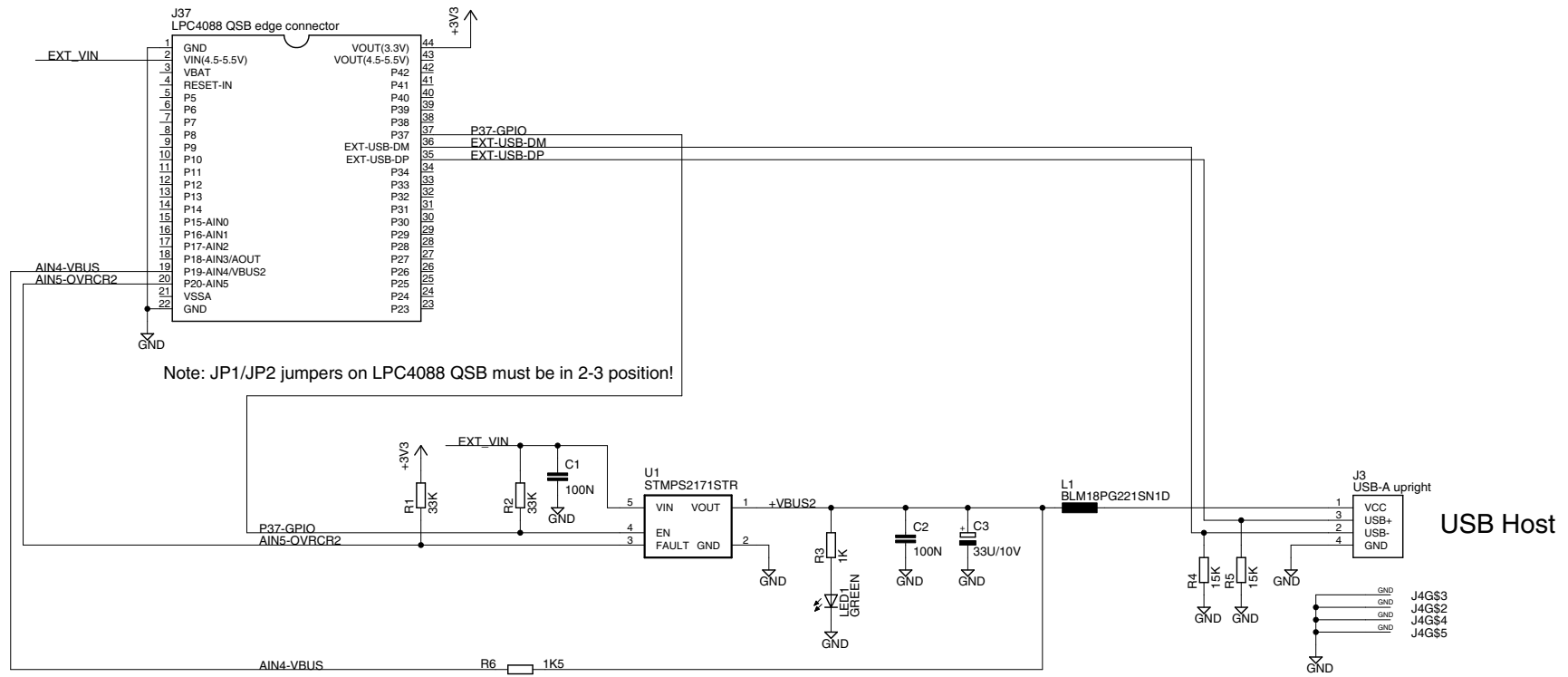
TITLE: LPC4088 QSB interface ex rev PA1

Document Number:

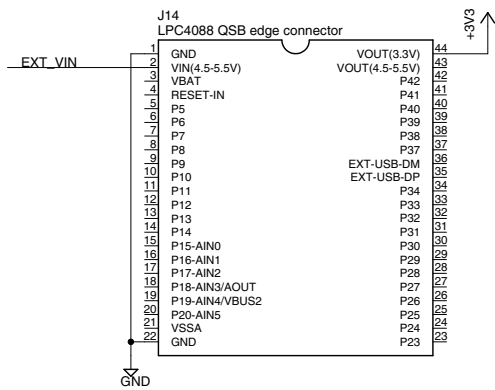
Date: 2013-10-02 17:59:43

Sheet: 10/13

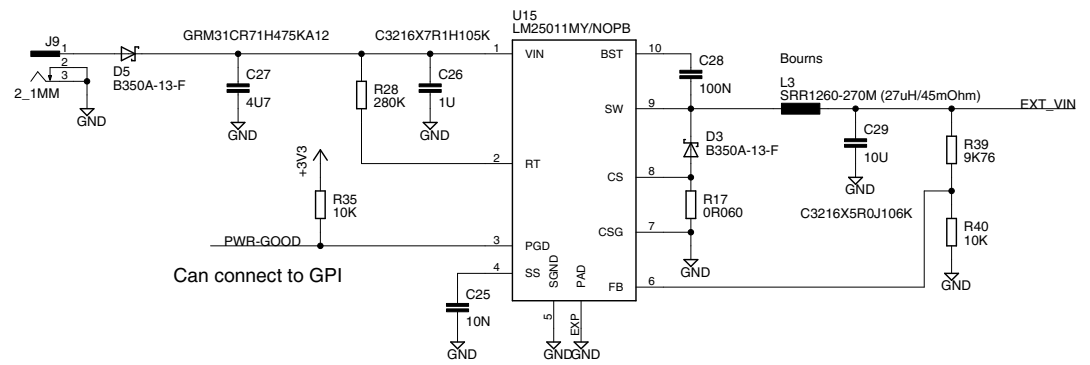
USB Host Interface Example



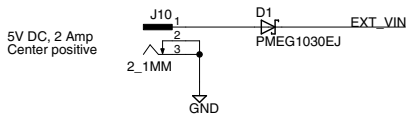
Power Supply Examples



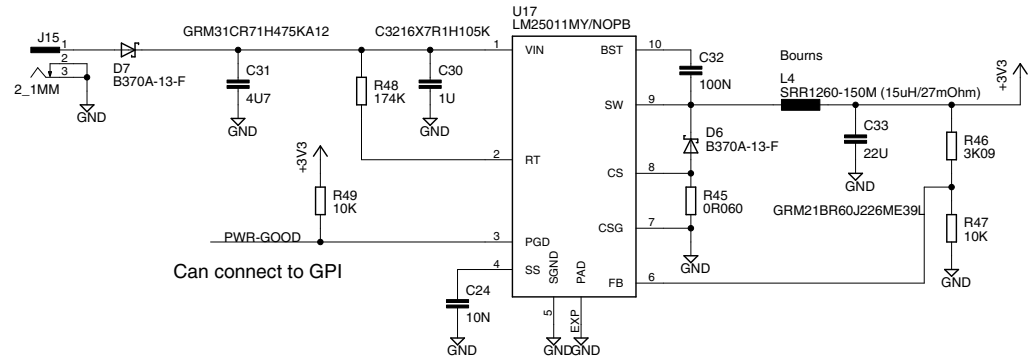
WEBENCH design from TI.COM
5V/2A supply with 7-30V input range



Simple Power Supply



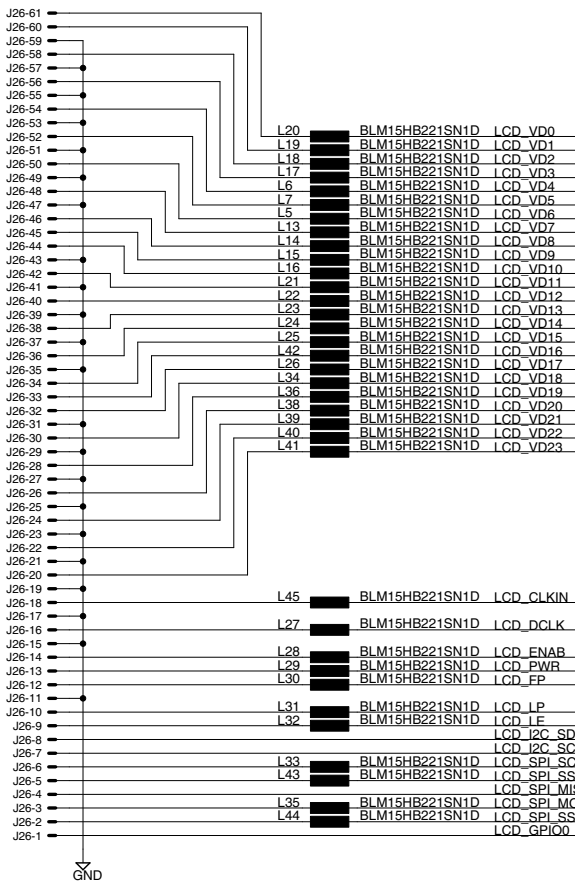
WEBENCH design from TI.COM
3.3V/2A supply with 7-30V input range



Display Expansion to 4.3" 480x272 pixel LCD

Display Interface from LPC4088 QuickStart Board

FH26-61S-0.3SHW(05) or 5034256191



Default

TFT 5:6:5 mode

TFT 8:8:8 mode

RED0

RED1

RED2

RED3

RED4

RED5

RED6

RED7

GREEN0

GREEN1

GREEN2

GREEN3

GREEN4

GREEN5

GREEN6

GREEN7

BLUE0

BLUE1

BLUE2

BLUE3

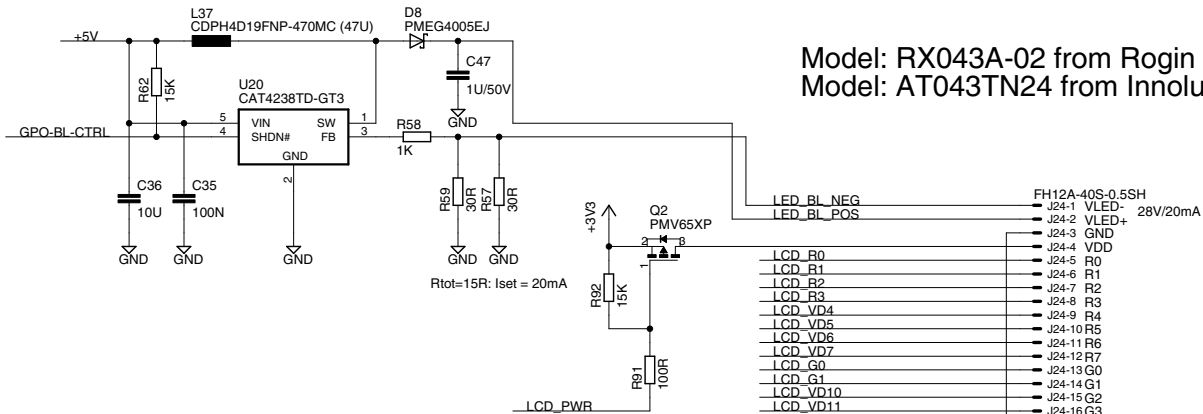
BLUE4

BLUE5

BLUE6

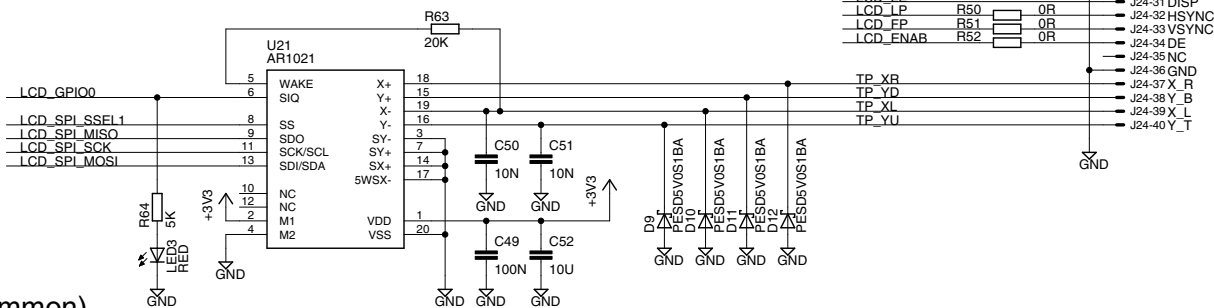
BLUE7

Backlight Voltage Generator

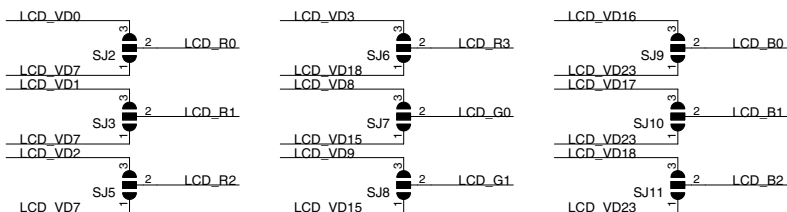


Model: RX043A-02 from Rogin
Model: AT043TN24 from Innolux

Touch Screen Controller



Mount in 1-2 position for 16-bit color depth (most common)
Mount in 2-3 position for 24-bit color depth



(C) Embedded Artists AB

TITLE: LPC4088 QSB interface ex rev PA1

Document Number:

Date: 2013-10-02 17:59:43

Sheet: 13/13