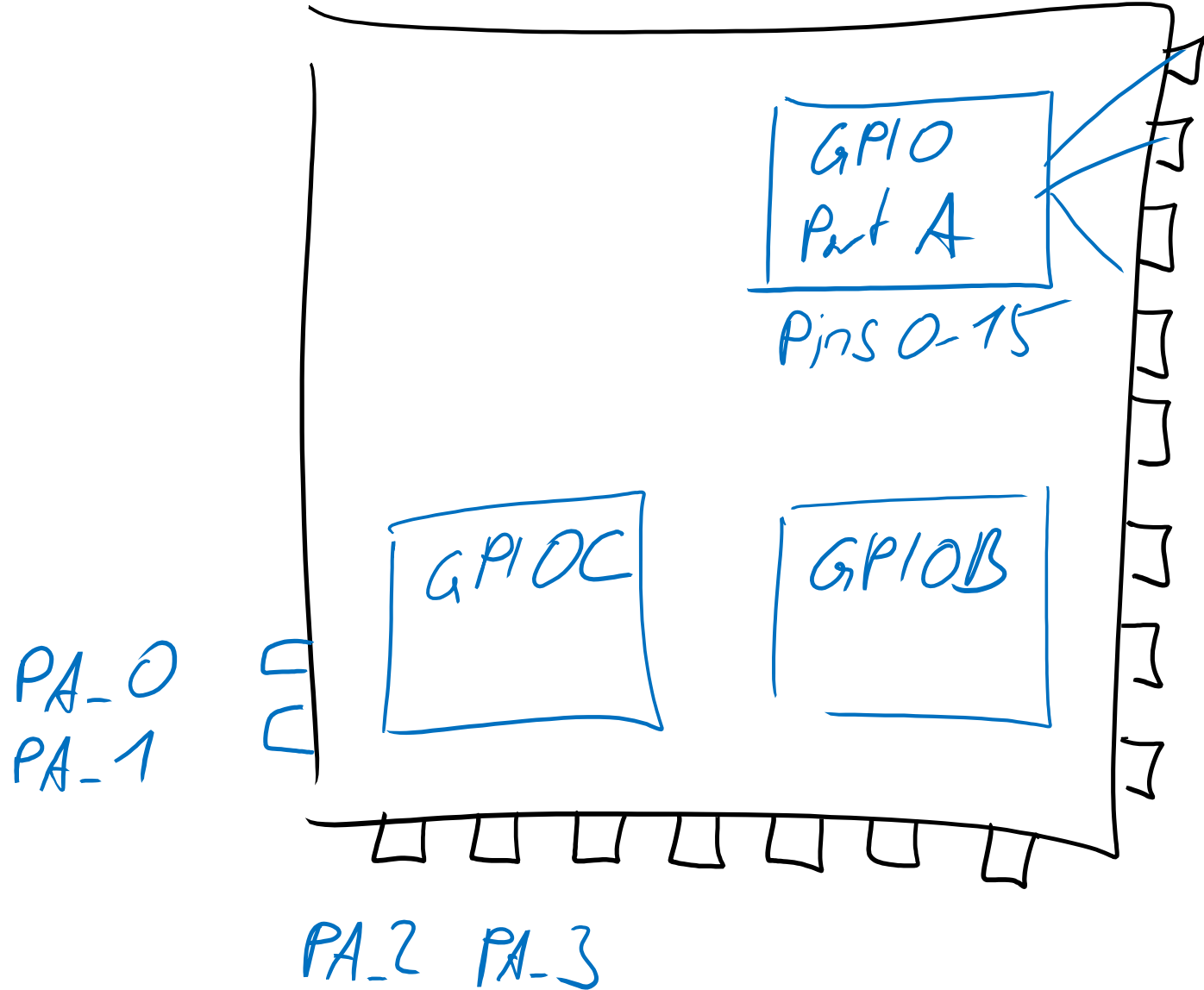
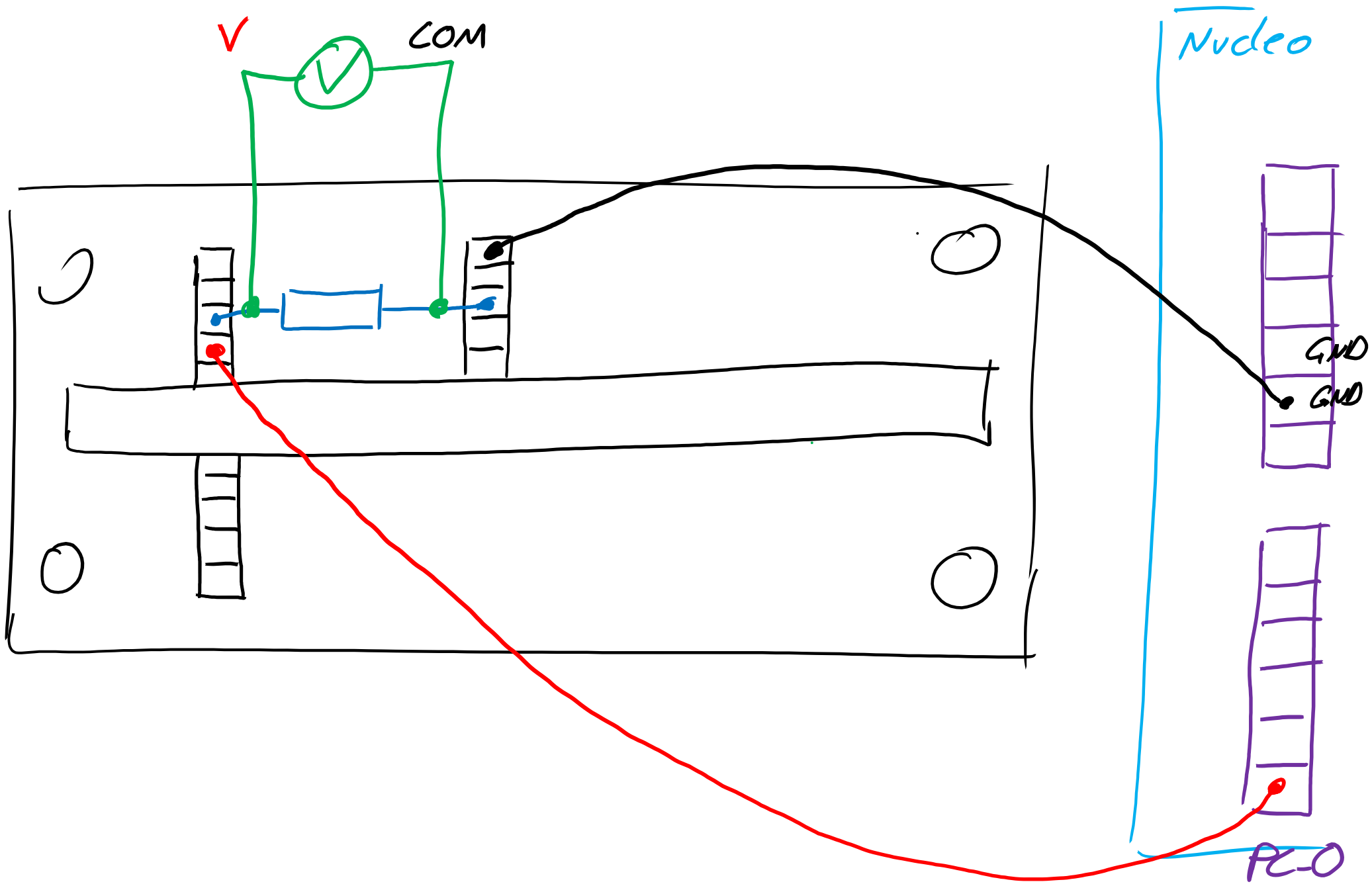


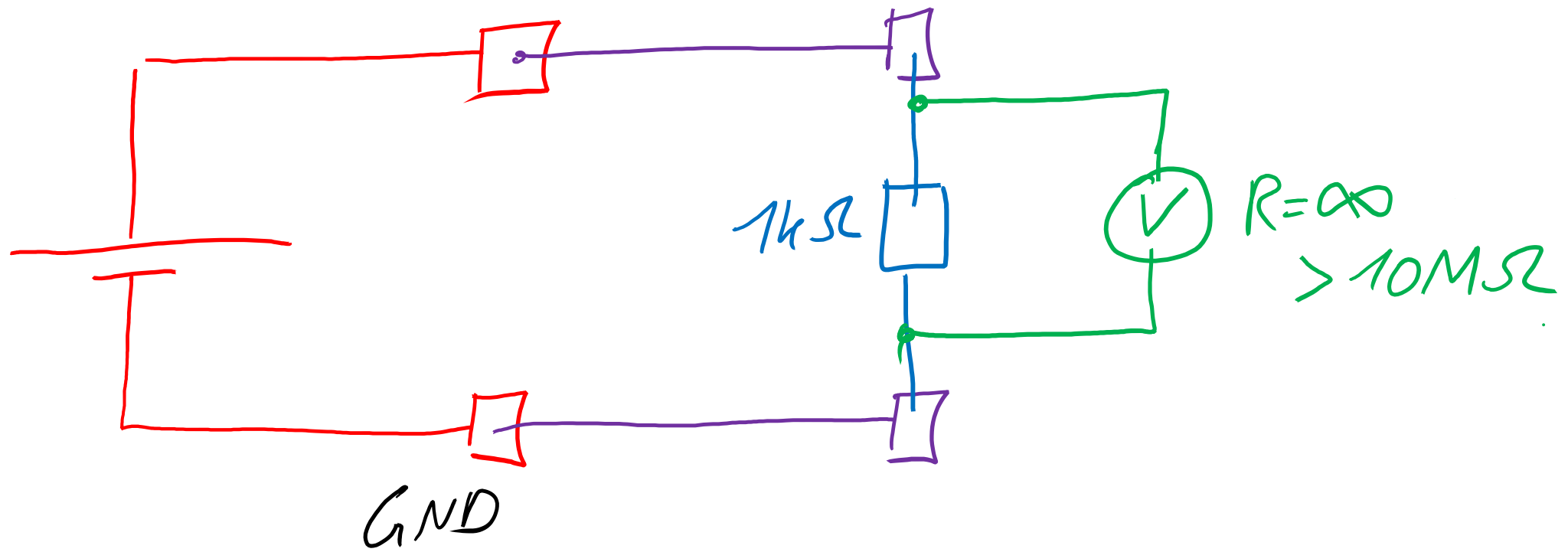
STM32

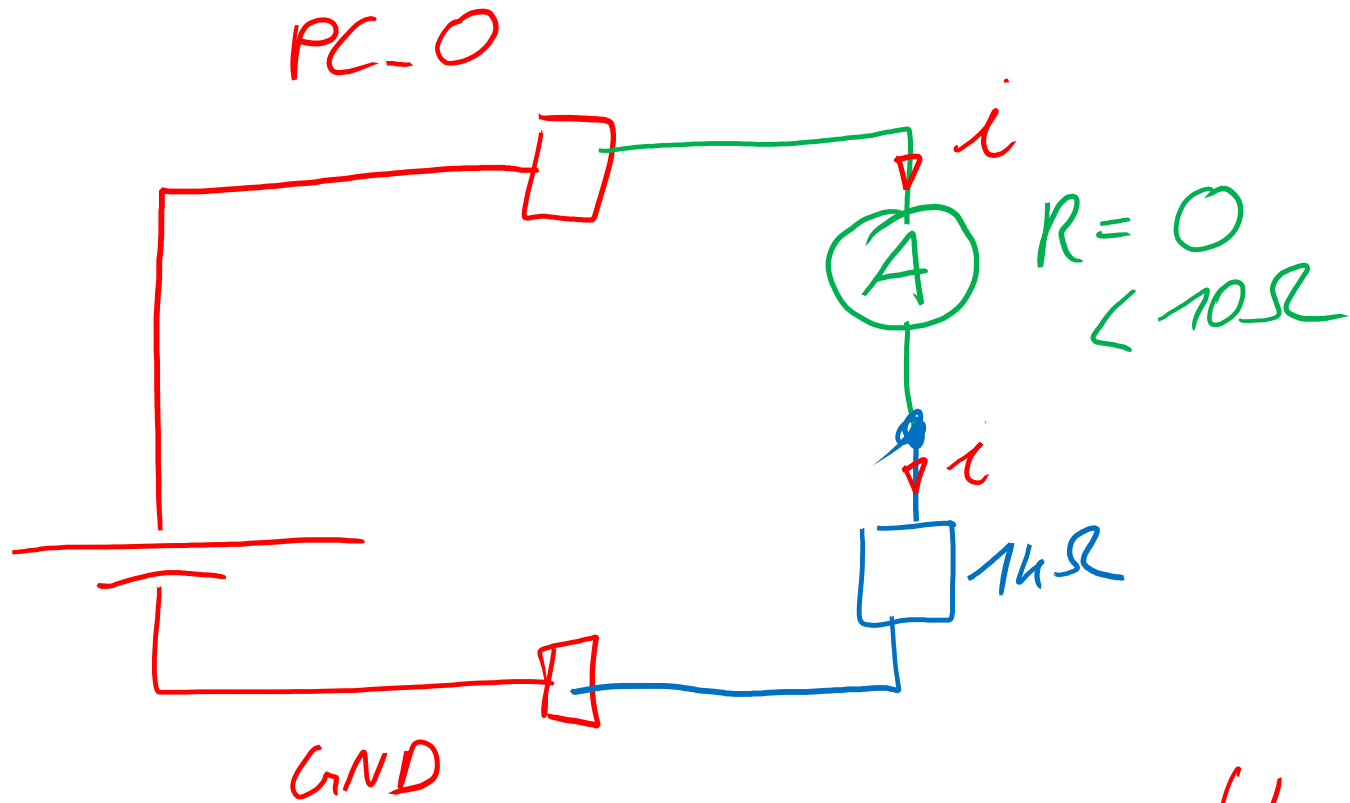


STM32
PA_0
Arduino
Connector
A0

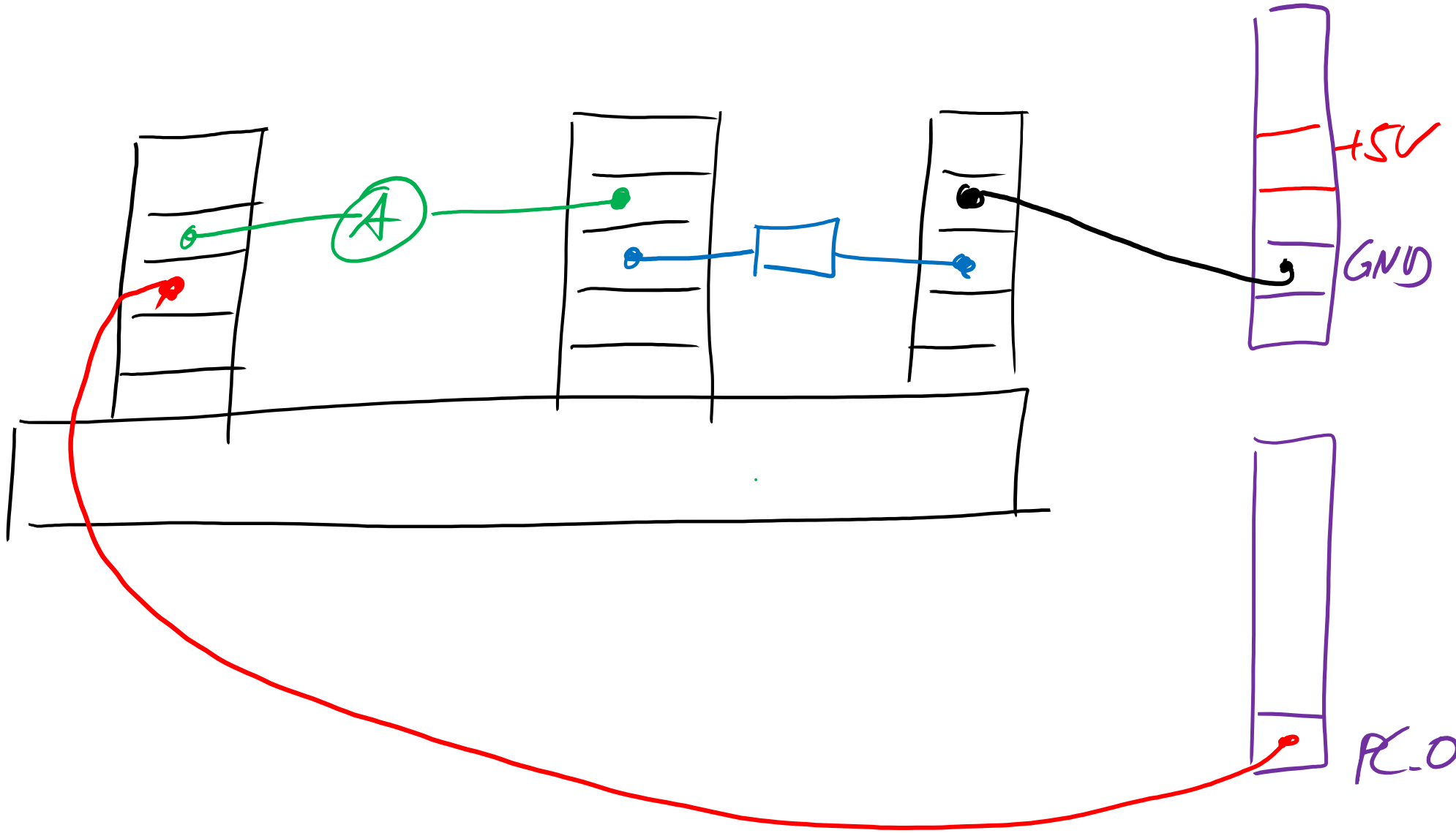


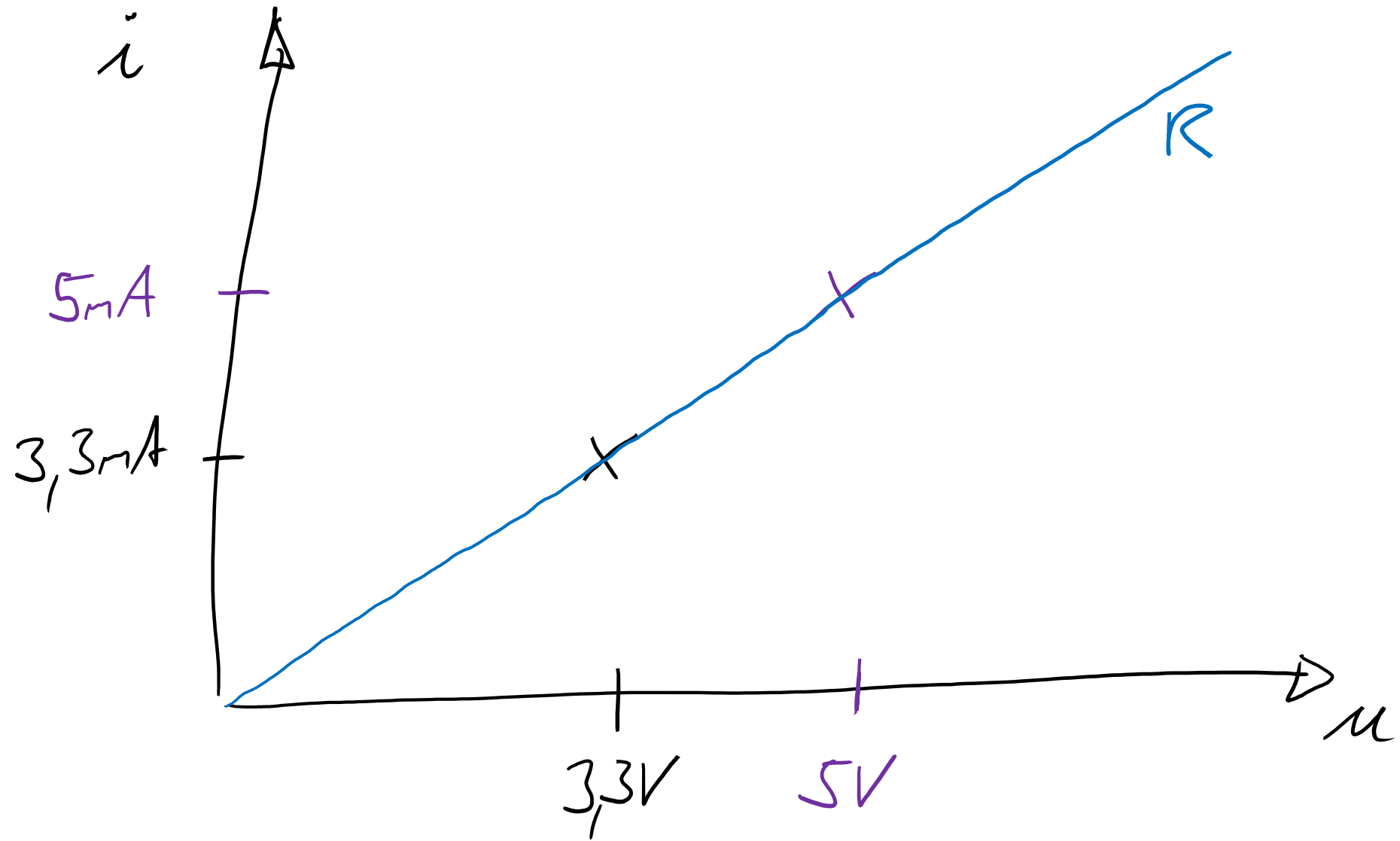
PC-0

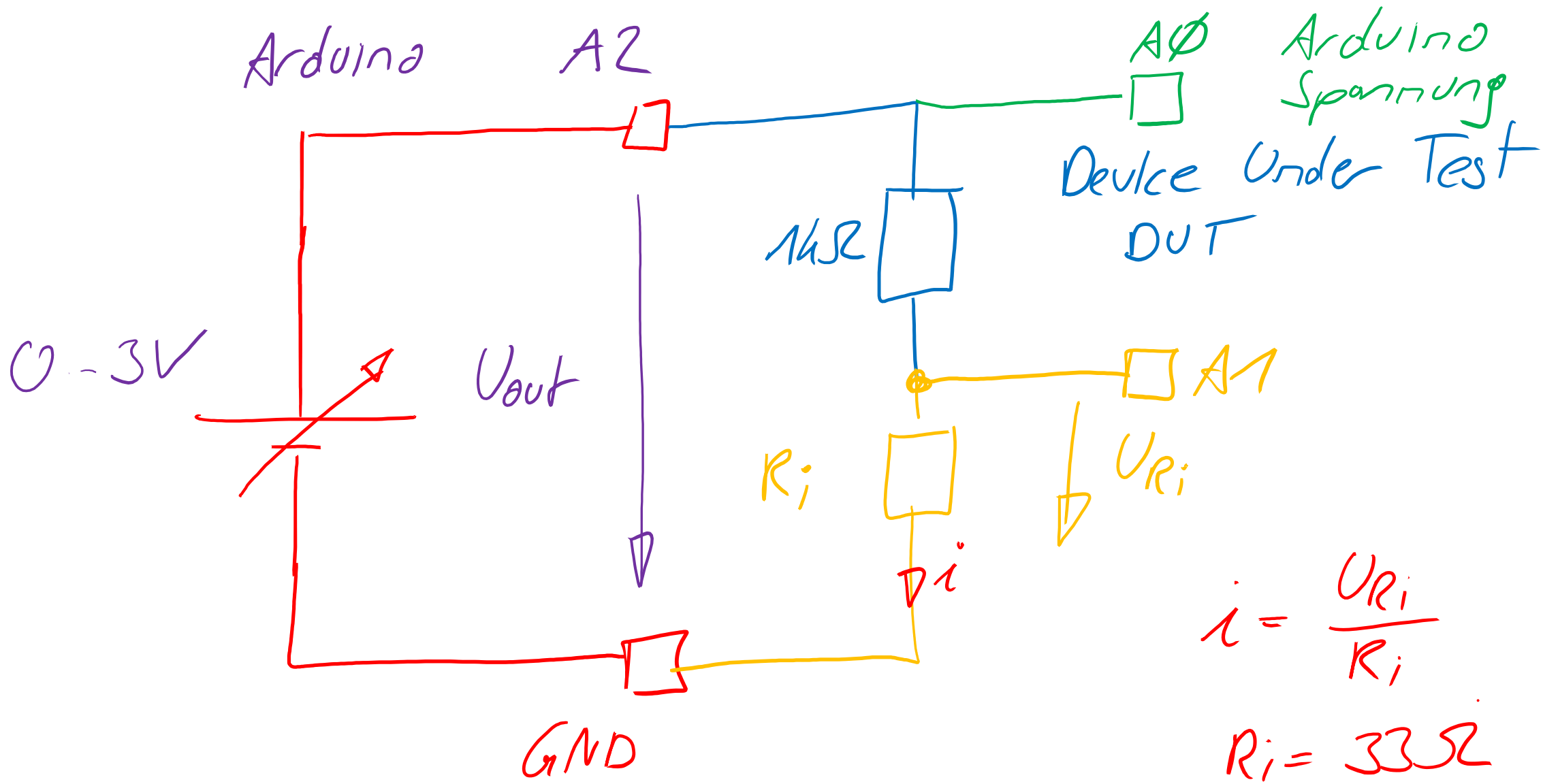




$$i = \frac{U}{R} = \frac{3,3V}{14\Omega} = \frac{3300mV}{1000\Omega} = 3,3mA$$

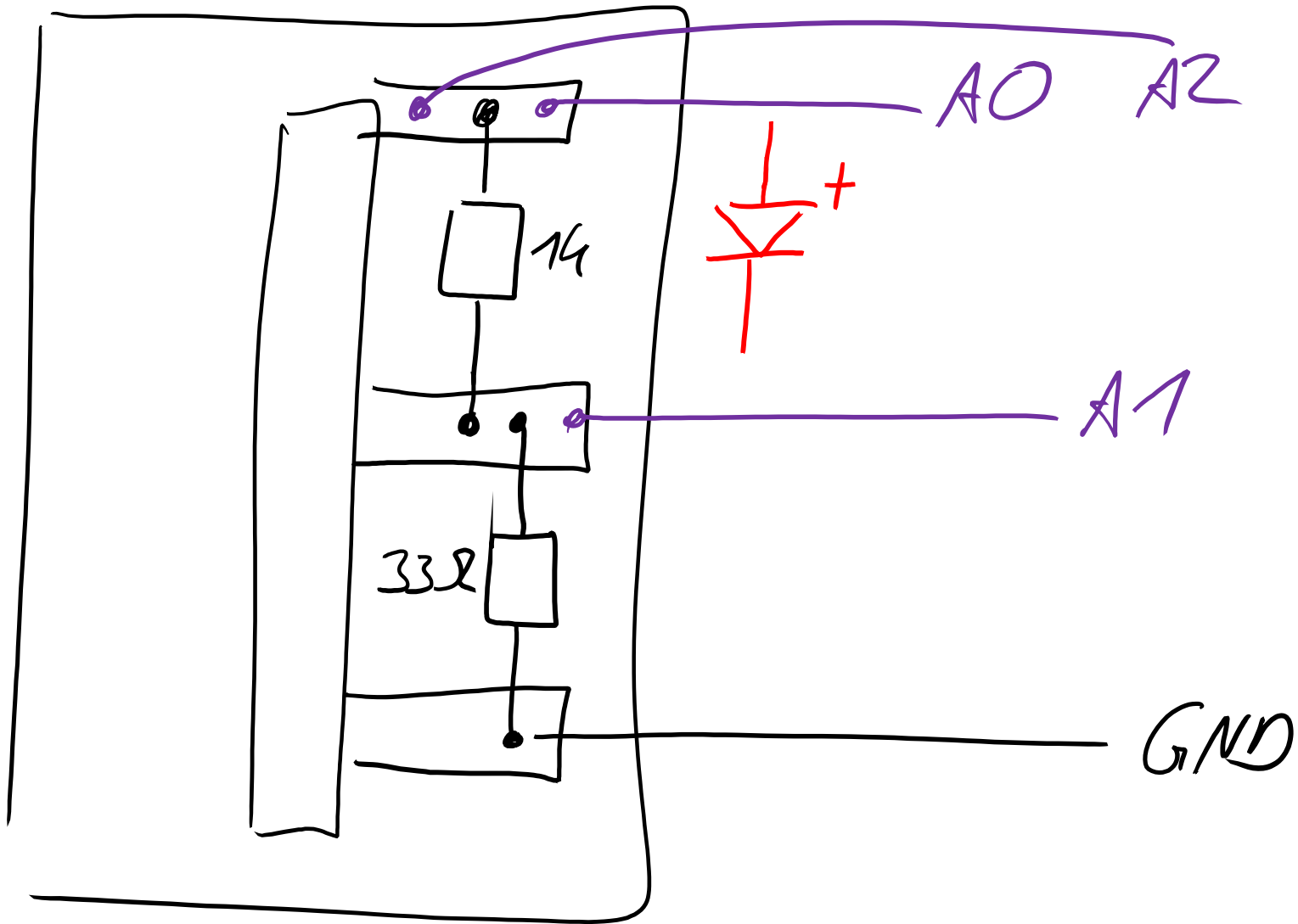
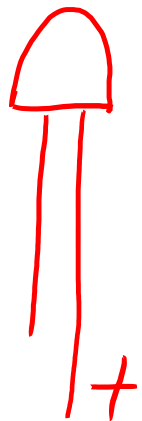


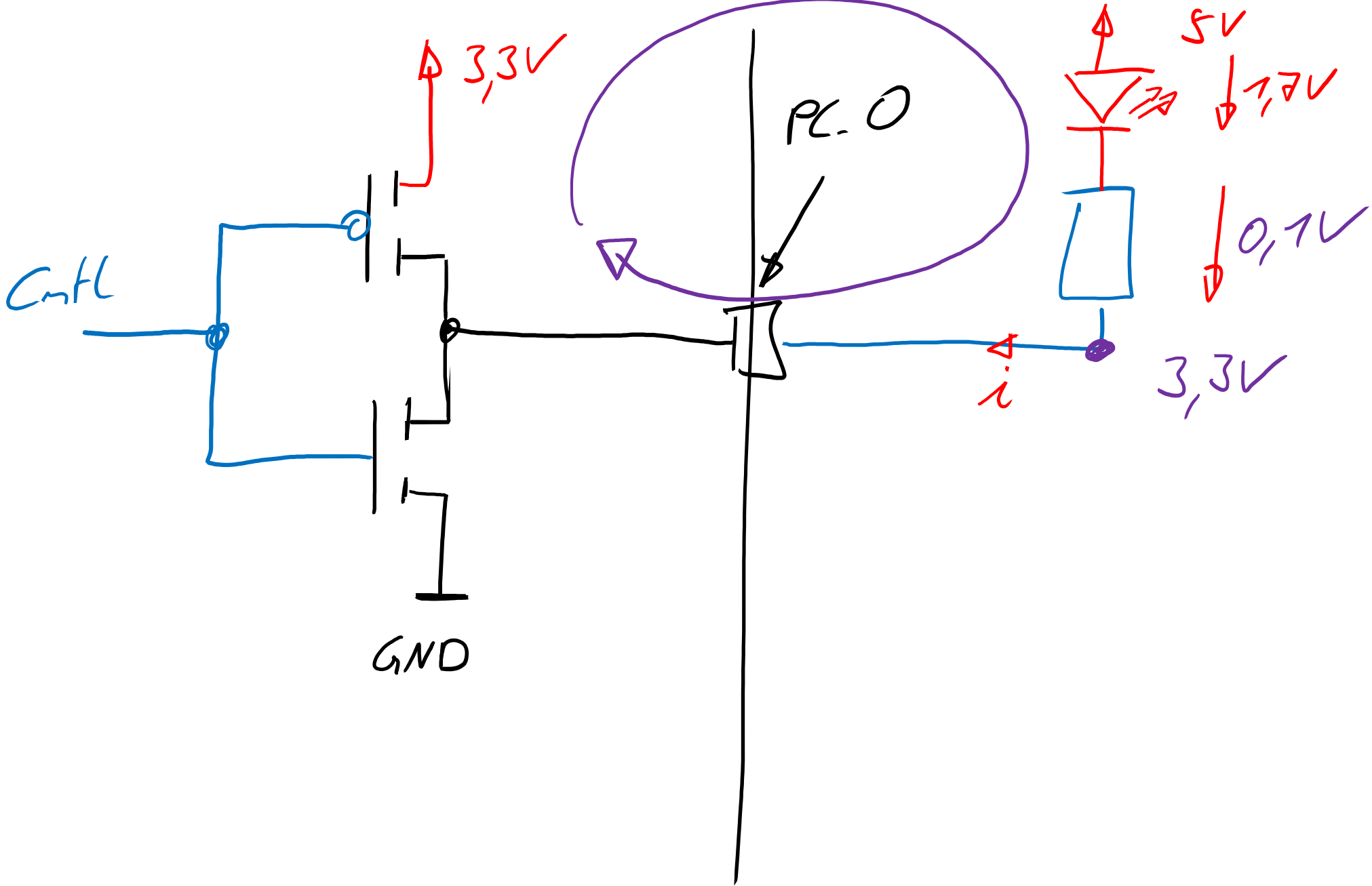


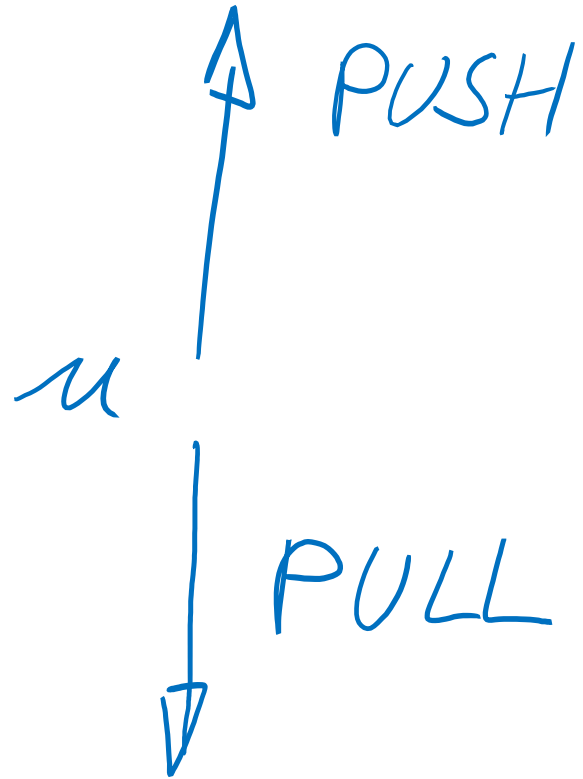
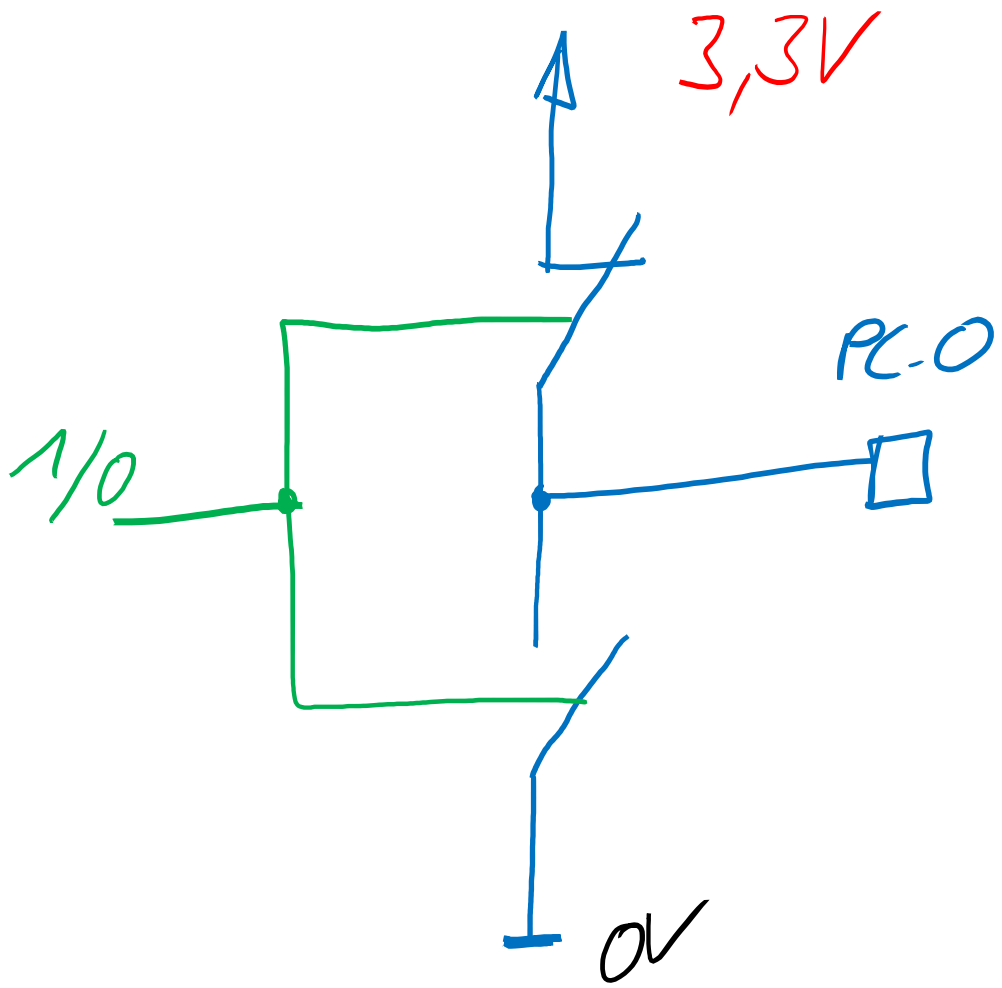


$$i = \frac{U_{R_i}}{R_i}$$

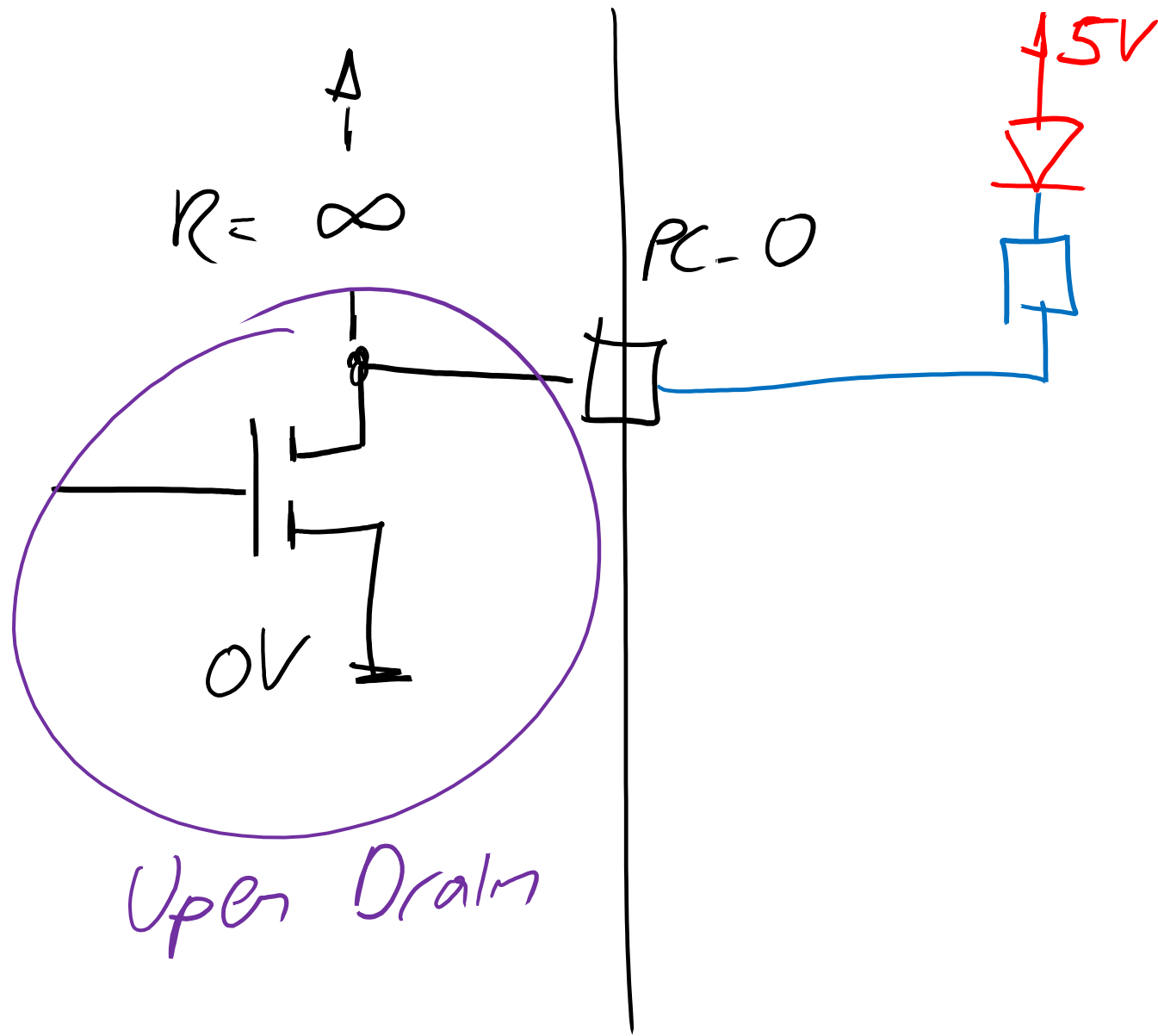
$$R_i = 33\Omega$$



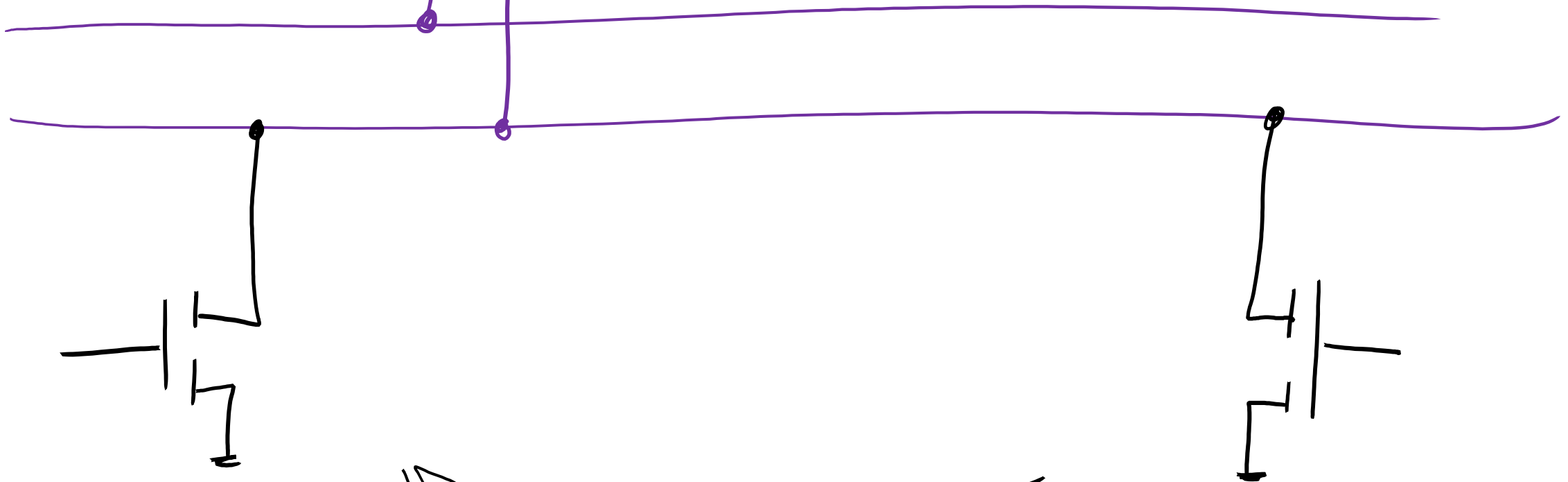
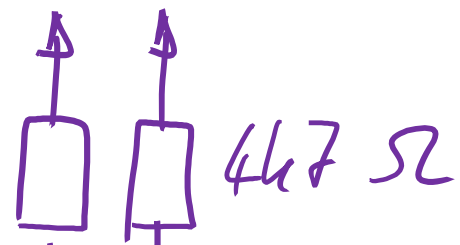




Push-Pull 1 --- 3,3V
 0 --- 0V



I²C-Bus



Open Drain Ausgänge