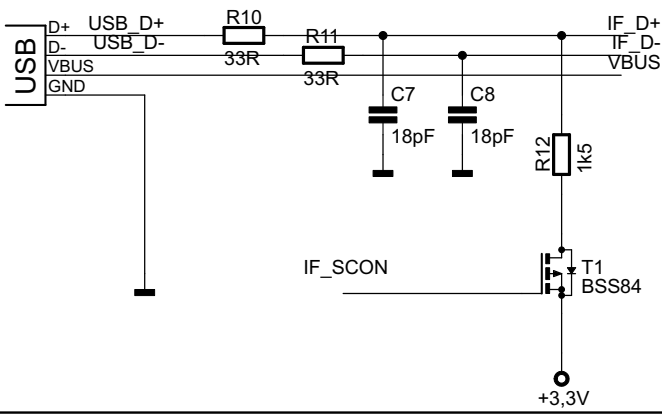
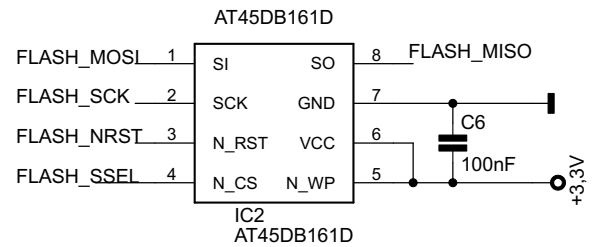
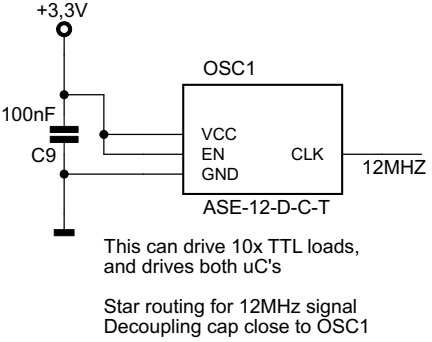
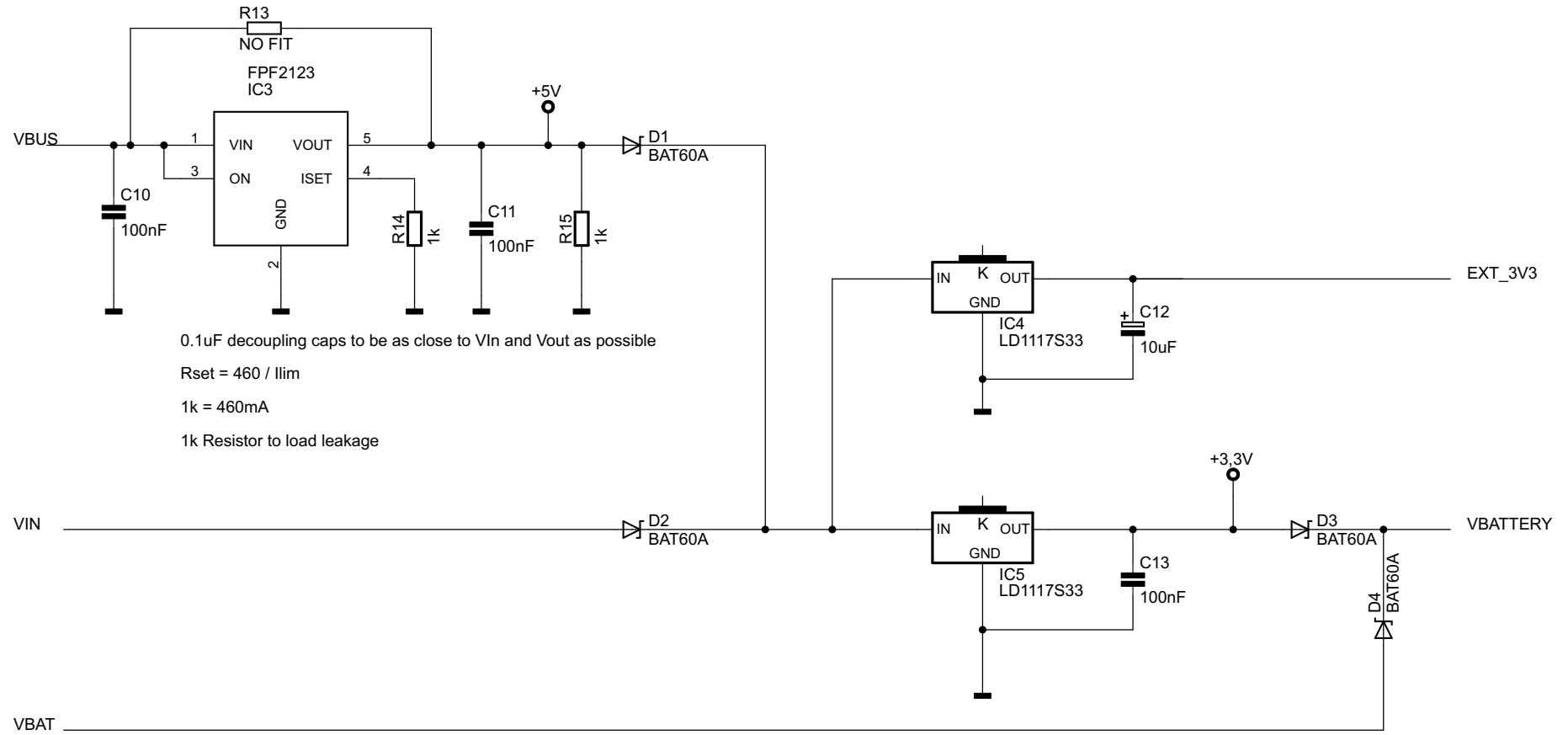


mbed	
Project-Version:	mbed-005.1
Date / Time:	26/08/2010 16:42:39
Sheet:	1/5



Power Supply Circuits

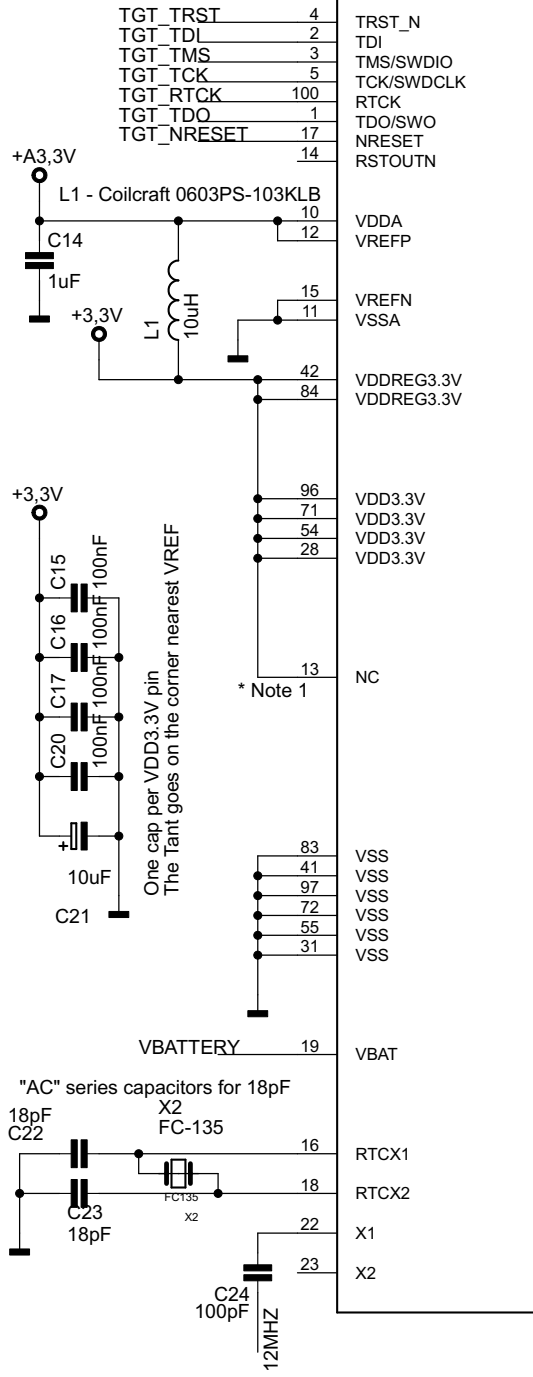


mbed	
Project-Version:	mbed-005.1
Date / Time:	26/08/2010 16:42:39
Sheet:	2/5

IC6

LPC1768

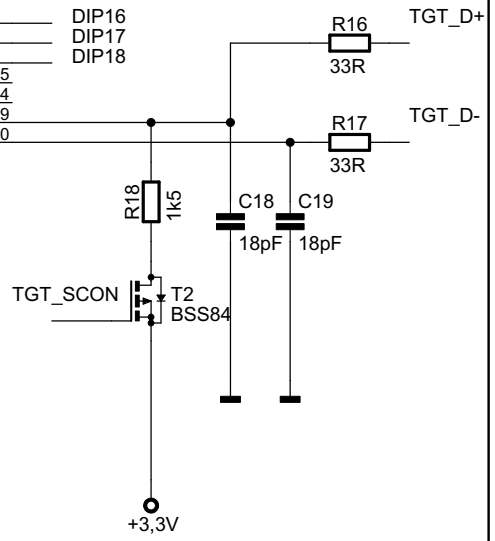
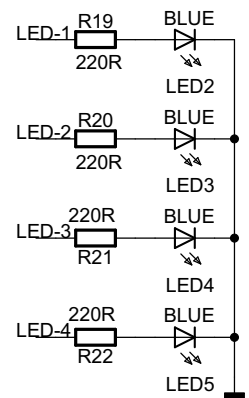
Target



TGT_P1.0	95
TGT_P1.1	94
TGT_P1.4	93
TGT_P1.8	92
TGT_P1.9	91
TGT_P1.10	90
TGT_P1.14	89
50MHZ	88
TGT_P1.16	87
TGT_P1.17	86
LED-1	32
LED-2	33
LED-3	34
LED-4	35
LED-5	36
LED-6	37
LED_LINK	38
LED_SPEED	39
ETH_OSC_EN	40
ETH_RST	41
DIP19	42
DIP20	20
DIP26	75
DIP25	74
DIP24	73
DIP23	70
DIP22	69
DIP21	68
TGT_SCON	65
TGT_SBL_ISP	53
TGT_JTAG_IRQ	50

P1.0/ENET-TXD0	46
P1.1/ENET-TXD1	47
P1.4/ENET-TX_EN	98
P1.8/ENET_CR_S	99
P1.9/ENET_RXD0	81
P1.10/ENET_RXD1	80
P1.14/ENET-RX_ER	79
P1.15/ENET-RX_CLK	78
P1.16/ENET-MDC	77
P1.17/ENET-MDIO	76
P1.18/USB_UP/PWM1.1/CAP1.0	48
P1.19/MC0A/USB_PPWR/CAP1.1	49
P1.20/MCFB0/PWM1.2/SCK0	
P1.21/MCABORT/PWM1.3/SSEL0	
P1.22/MC0B/USB_PWRD/MAT1.0	
P1.23/MCFB1/PWM1.4/MISO0	
P1.24/MCFB2/PWM1.5/MOSI0	
P1.25/MC1A/MAT1.1	
P1.26/MC1B/PWM1.6/CAP0.0	
P1.27/CLKOUT/USB_OVRCR/CAP0.1	
P1.28/MC2A/PCAP1.0/MAT0.0	
P1.29/MC2B/PCAP1.1/MAT0.1	
P1.30/VBUS/AD0.4	
P1.31/SCK1/AD0.5	
P2.0/PWM1.1/TXD1/TRACECLK	
P2.1/PWM1.2/RXD1	
P2.2/PWM1.3/CTS1/TRACEDATA3	
P2.3/PWM1.4/DCD1/TRACEDATA2	
P2.4/PWM1.5/DSR1/TRACEDATA1	
P2.5/PWM1.6/DTR1/TRACEDATA0	
P2.6/PCAP1.0/R11/TRACECLK	
P2.7/CAN_RX2/RTS1	
P2.8/CAN_TX2/TXD2	
P2.9/USB_CONNECT/RXD2	
P2.10/EINT0N/NMI	
P2.11/EINT1N/I2STX_CLK	
P2.12/EINT2N/I2STX_WS	
P2.13/EINT3N/I2STX_SDA	
P3.25/MAT0.0/PWM1.2	
P3.26/STCLK/MAT0.1/PWM1.3	
P4.28/RX_MCLK/MAT2.0/TXD3	
P4.29/TX_MCLK/MAT2.1/RXD3	

P0.0/CAN_RX1/TXD3/SDA1	46
P0.1/CAN_TX1/RXD3/SCL1	47
P0.2/TXD0/AD0.7	98
P0.3/RXD0/AD0.6	99
P0.4/I2SRX_CLK/CAN_RX2/CAP2.0	81
P0.5/I2SRX_WS/CAN_TX2/CAP2.1	80
P0.6/I2SRX_SDA/SSEL1/MAT2.0	79
P0.7/I2STX_CLK/SCK1/MAT2.1	78
P0.8/I2STX_WS/MISO1/MAT2.2	77
P0.9/I2STX_SDA/MOSI1/MAT2.3	76
P0.10/TXD2/SDA2/MAT3.0	48
P0.11/RXD2/SCL2/MAT3.1	49
P0.15/TXD1/SCK0/SCK	62
P0.16/RXD1/SSEL0/SSEL	63
P0.17/CTS1/MISO0/MISO	61
P0.18/DCD1/MOSI0/MOSI1	60
P0.19/DSR1/MCICLK/SDA1	59
P0.20/DTR1/SCL1	58
P0.21/R11/CAN_RX1	57
P0.22/RTS1/CAN_TX1	56
P0.23/AD0.0/I2SRX_CLK/CAP3.0	9
P0.24/AD0.1/I2SRX_WS/CAP3.1	8
P0.25/AD0.2/I2SRX_SDA/TXD3	7
P0.26/AD0.3/AOUT/RXD3	6
P0.27/SDA0/USB_SDA	25
P0.28/SCL0/USB_SCL	24
P0.29/USB_D+	29
P0.30/USB_D-	30
DIP9	46
DIP10	47
TGT_SBL_TXD	98
TGT_SBL_RXD	99
DIP30	81
DIP29	80
DIP8	79
DIP7	78
DIP6	77
DIP5	76
DIP28	48
DIP27	49
DIP13	62
DIP14	63
DIP12	61
DIP11	60
DIP15	9
DIP16	8
DIP17	7
DIP18	6
TGT_D+	30
TGT_D-	29
DIP1	1
DIP2	2
DIP3	3
DIP4	4
DIP5	5
DIP6	6
DIP7	7
DIP8	8
DIP9	9
DIP10	10
DIP11	11
DIP12	12
DIP13	13
DIP14	14
DIP15	15
DIP16	16
DIP17	17
DIP18	18
DIP19	19
DIP20	20
DIP21	21
DIP22	22
DIP23	23
DIP24	24
DIP25	25
DIP26	26
DIP27	27
DIP28	28
DIP29	29
DIP30	30
DIP31	31
DIP32	32
DIP33	33
DIP34	34
DIP35	35
DIP36	36
DIP37	37
DIP38	38
DIP39	39
DIP40	40
DIP41	41
DIP42	42
DIP43	43
DIP44	44
DIP45	45
DIP46	46
DIP47	47
DIP48	48
DIP49	49
DIP50	50
DIP51	51
DIP52	52
DIP53	53
DIP54	54
DIP55	55
DIP56	56
DIP57	57
DIP58	58
DIP59	59
DIP60	60
DIP61	61
DIP62	62
DIP63	63
DIP64	64
DIP65	65
DIP66	66
DIP67	67
DIP68	68
DIP69	69
DIP70	70
DIP71	71
DIP72	72
DIP73	73
DIP74	74
DIP75	75
DIP76	76
DIP77	77
DIP78	78
DIP79	79
DIP80	80
DIP81	81
DIP82	82
DIP83	83
DIP84	84
DIP85	85



mbed

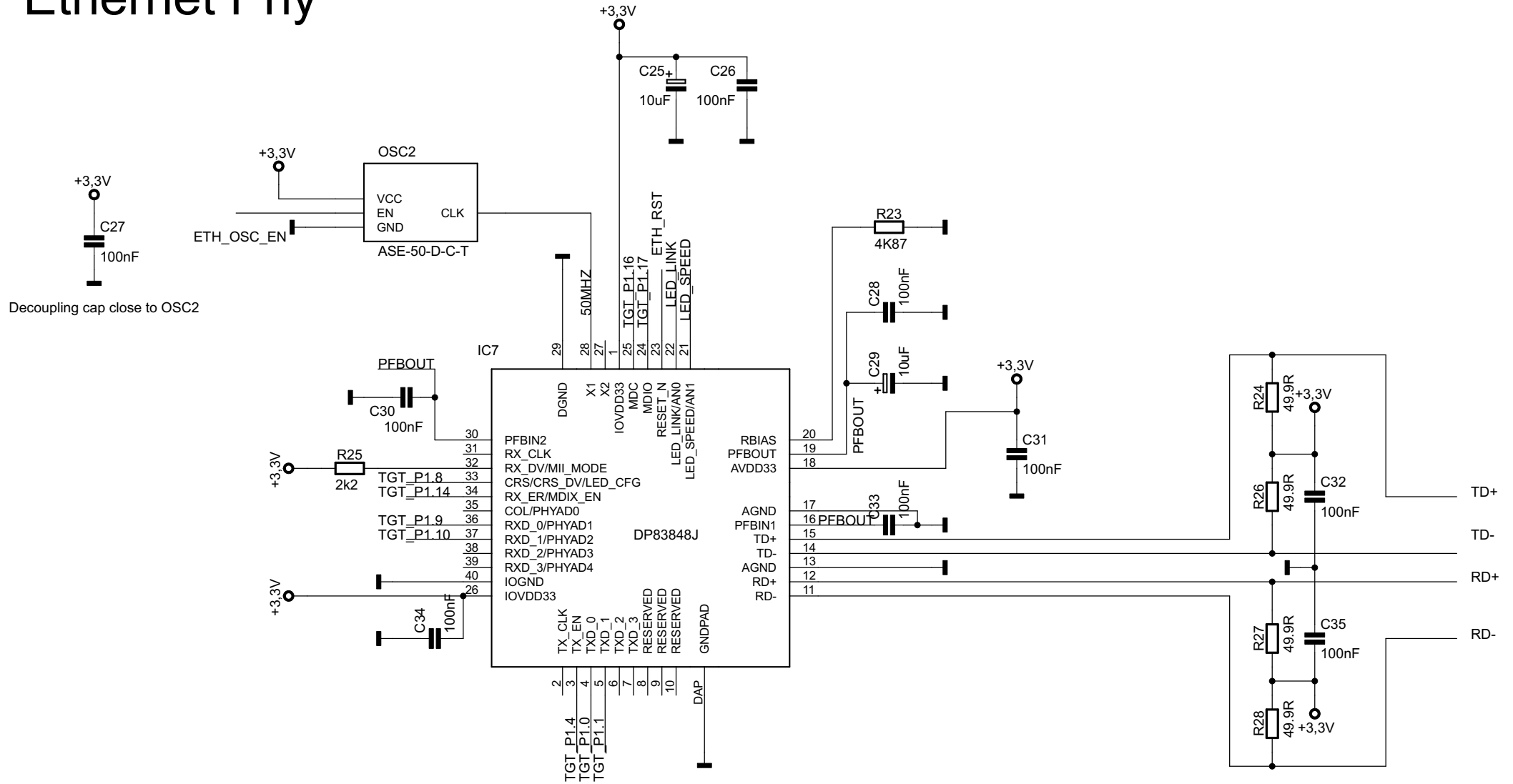
Project-Version: mbed-005.1

Date / Time: 26/08/2010 16:42:39

Sheet: 3/5

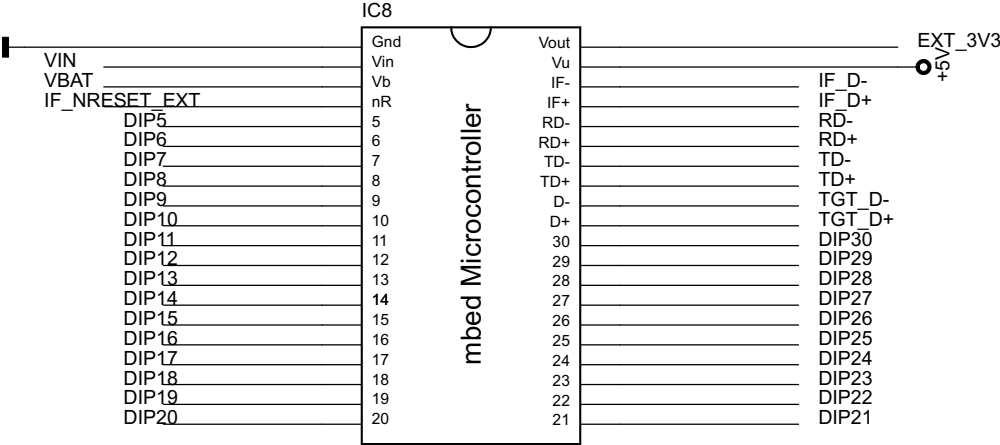
* Note 1 - This is connected to VDD3v3 so that the LPC2368 will work on the same PCB

Ethernet Phy



mbed	
Project-Version:	mbed-005.1
Date / Time:	26/08/2010 16:42:39
Sheet:	4/5

DIP Pinout



mbed	
Project-Version:	mbed-005.1
Date / Time:	26/08/2010 16:42:39
Sheet:	5/5