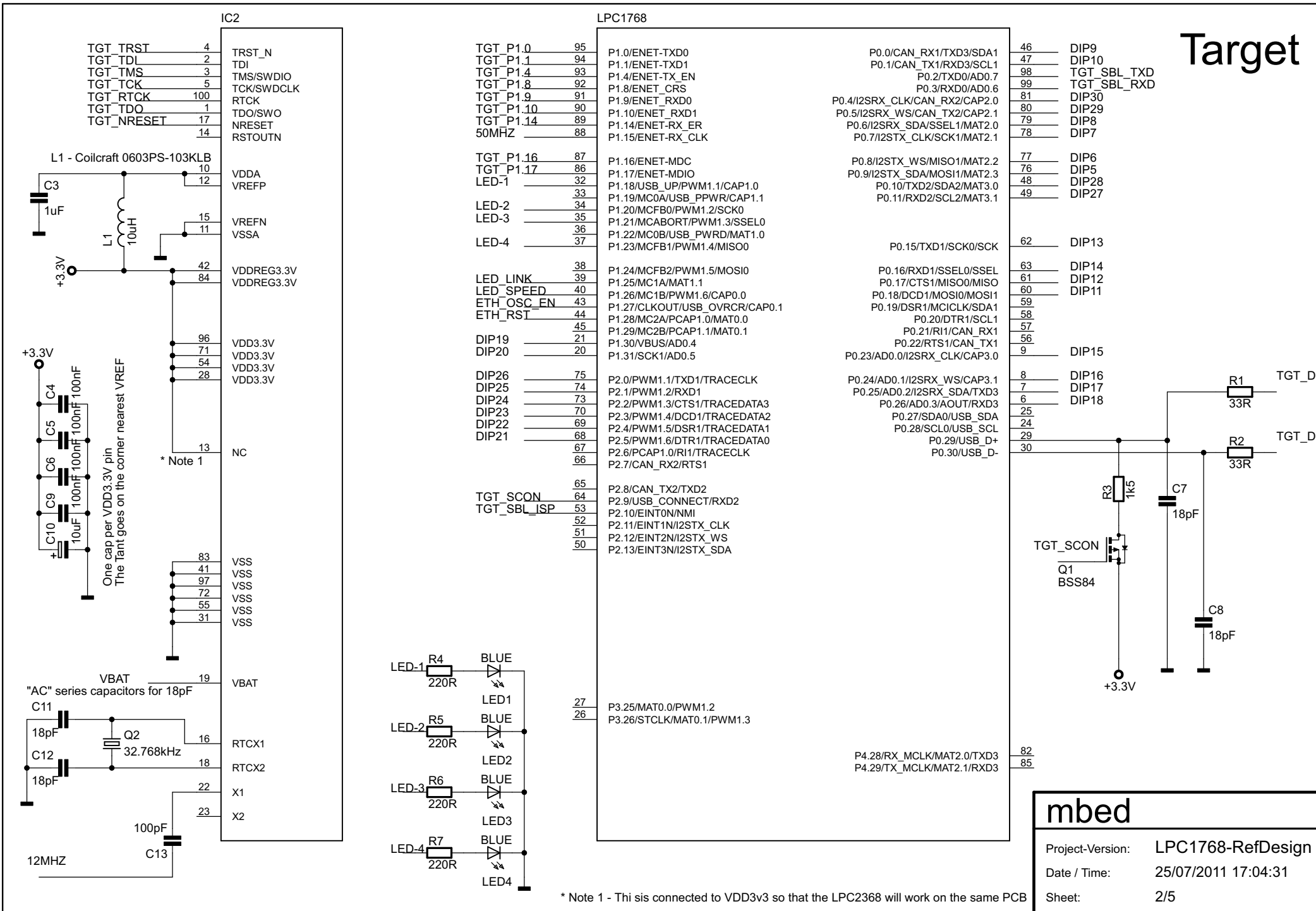


mbed	
Project-Version:	LPC1768-RefDesign
Date / Time:	25/07/2011 17:04:31
Sheet:	1/5

Target



* Note 1 - This is connected to VDD3v3 so that the LPC2368 will work on the same PCB

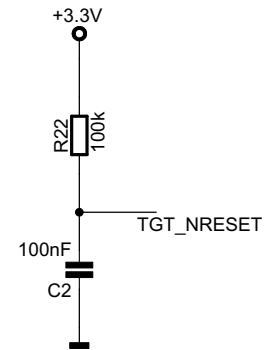
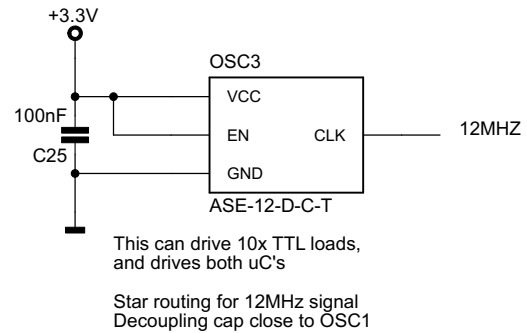
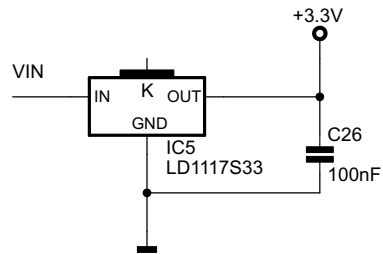
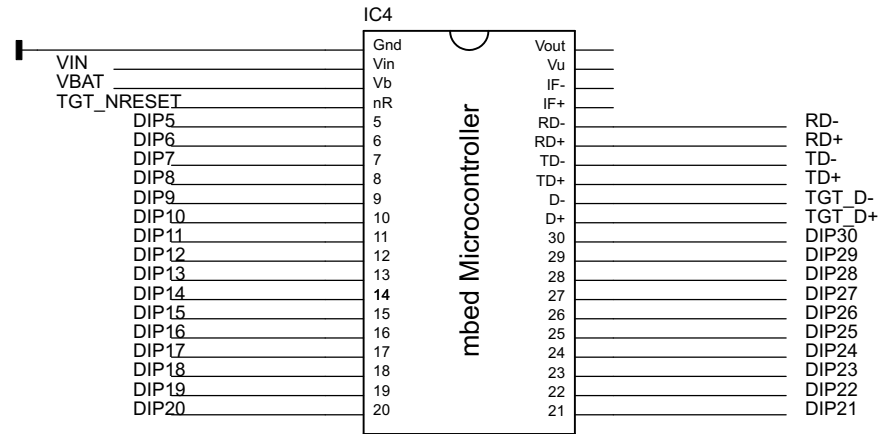
mbed

Project-Version: **LPC1768-RefDesign**

Date / Time: **25/07/2011 17:04:31**

Sheet: **2/5**

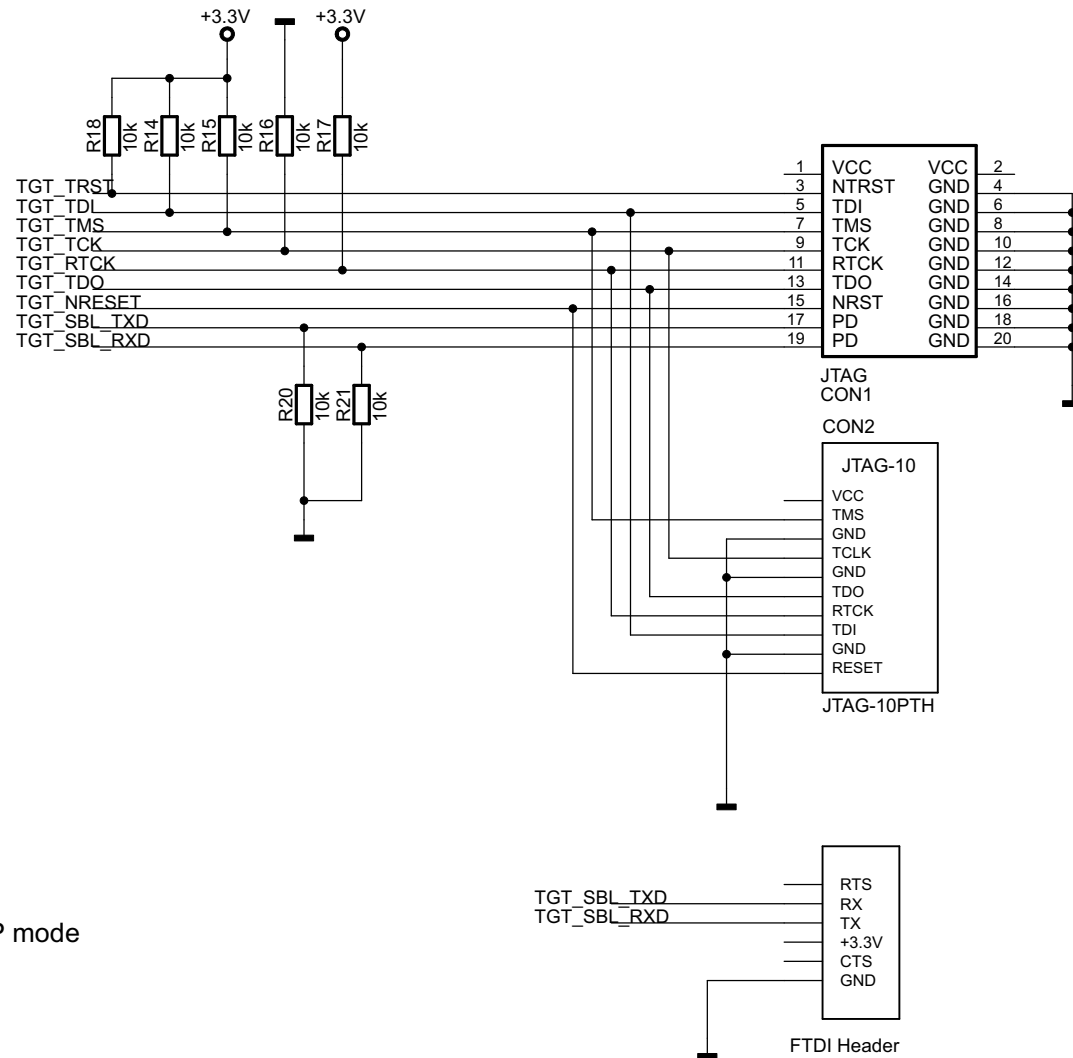
DIP Pinout



mbed

Project-Version: LPC1768-RefDesign
Date / Time: 25/07/2011 17:04:31
Sheet: 4/5

Programming



20 Pin JTAG with serial

10 pin JTAG/SWD only

FTDI header for USB serial

Ground ISP pin to enter ISP mode

mbed	
Project-Version:	LPC1768-RefDesign
Date / Time:	25/07/2011 17:04:31
Sheet:	5/5