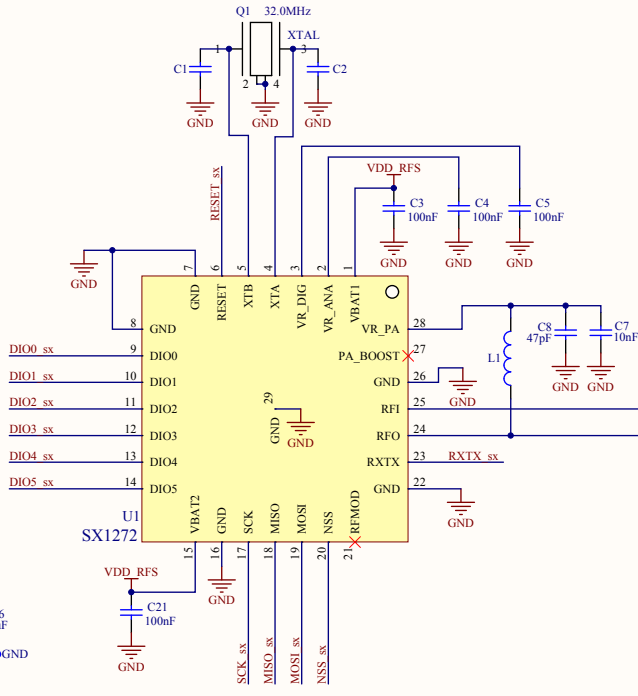
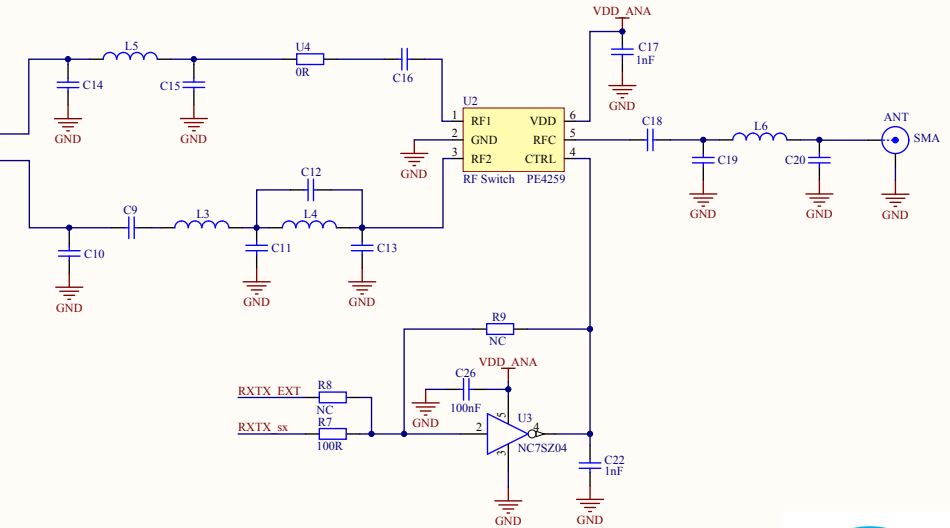


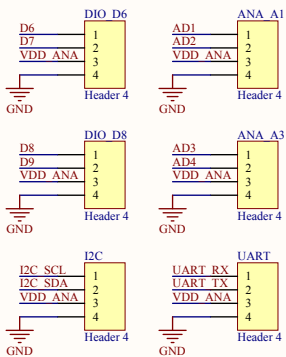
SX1272 RF Part:



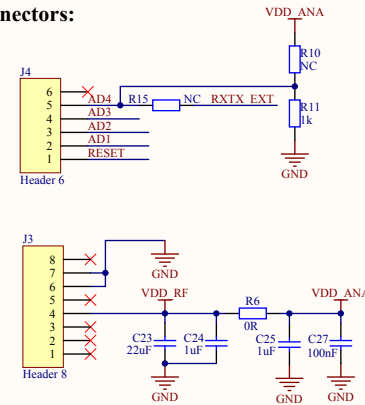
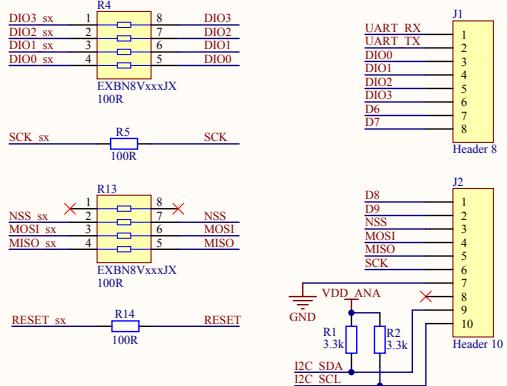
Antenna RF Switch:



Grove sensor connectors:



mbed compatible connectors:



Semtech Logos:
EMI RF Shield Shield 1

SX1272MB2xAS

Title SX1272 868/915MHz mbed shield + sensors		
Size A3	Number PCB_E364V01A - SEMTECH	Revision V1a
Date: 08.02.2016	Sheet of 1/1	
File: \\.\SX1272_e364v01a_without_SAW_SchilDown By:EMr		