

GR-PEACH(mbed-RZ/A1) Circuit schematic 【 X28A-M01-E/F 】

Released under the Creative Commons Attribution Share-Alike 3.0 License
<http://creativecommons.org/licenses/by-sa/3.0>

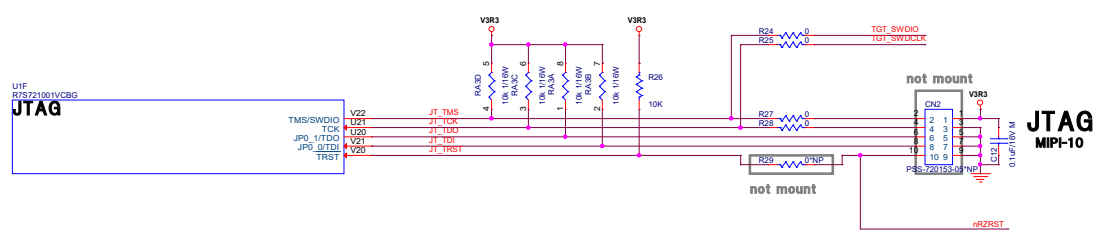
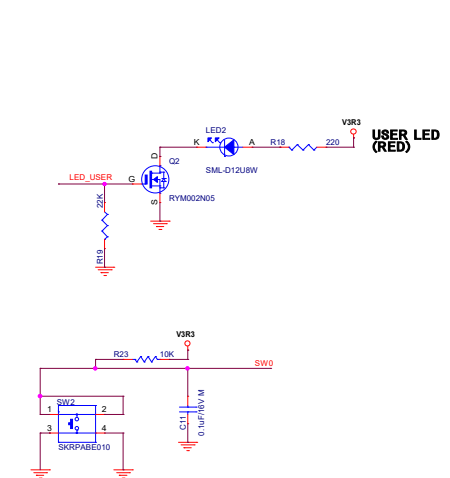
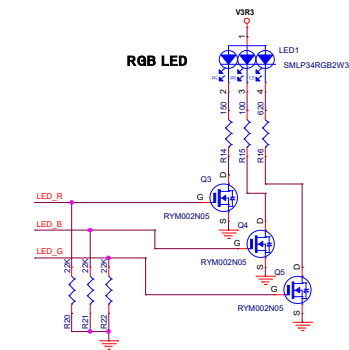
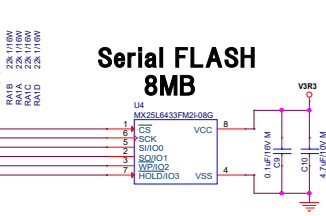
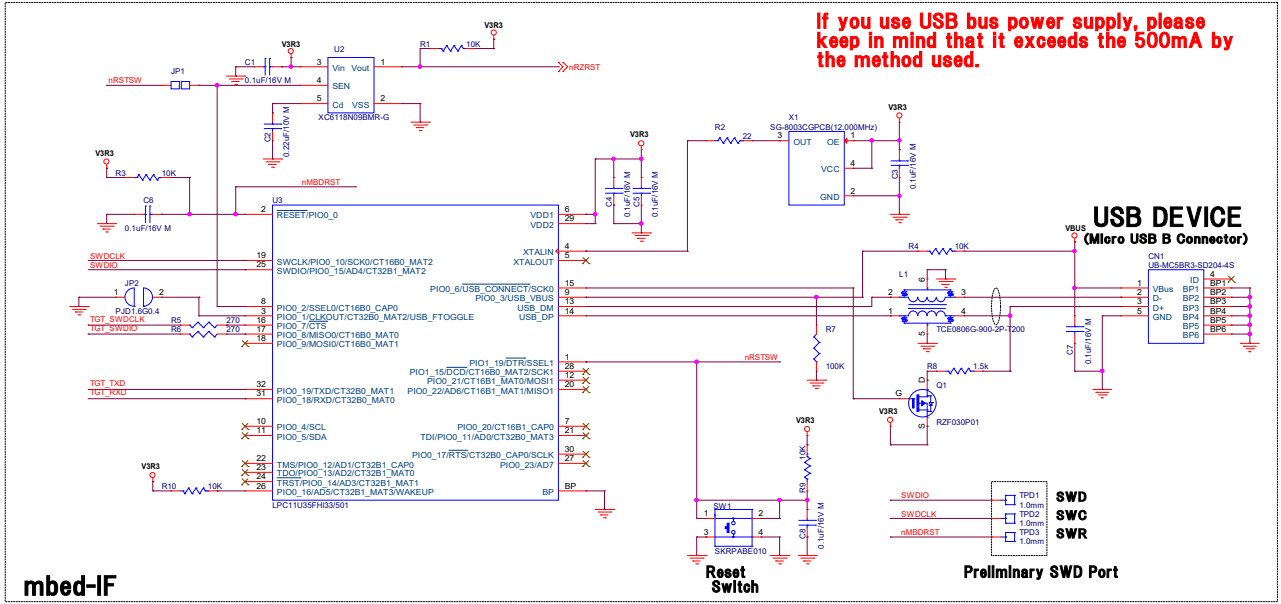
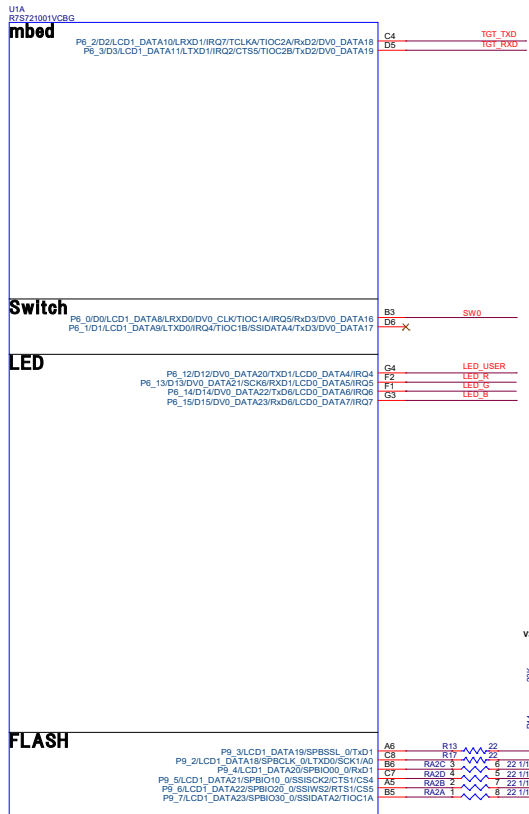
GR-PEACH Design by Core Corporation

SHT.1 Title Sheet
SHT.2 MBED-IF / Serial Flash / Switch / LED Block
SHT.3 USB Host/Function / ETHER / SD Slot Block
SHT.4 Expansion I/F / Arduino / WIFI / Xbee Block
SHT.5 CPU Power / Clock Block
SHT.6 PINMAP

Core Co.Ltd.,

File	GR-PEACH(mbed-RZ/A1) Board Circuit	
Size	Document Number	Rev
	X28A-M01-E/F	0
Date	Wednesday, February 10, 2016	Sheet 1 of 6

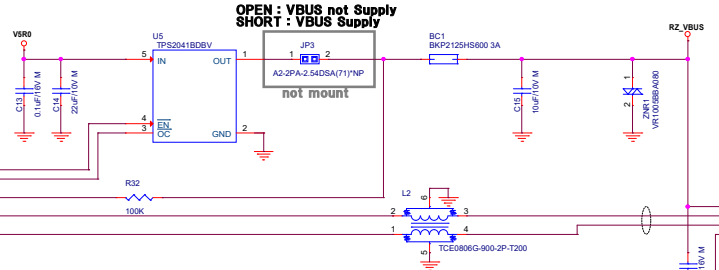
SHT.2 MBED-IF / Serial Flash / Switch / LED Block



Notice: This board is not compatible with 5V tolerant signal.

SHT.3 USB Host/Function / ETHER / SD Slot Block

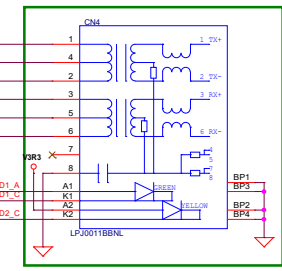
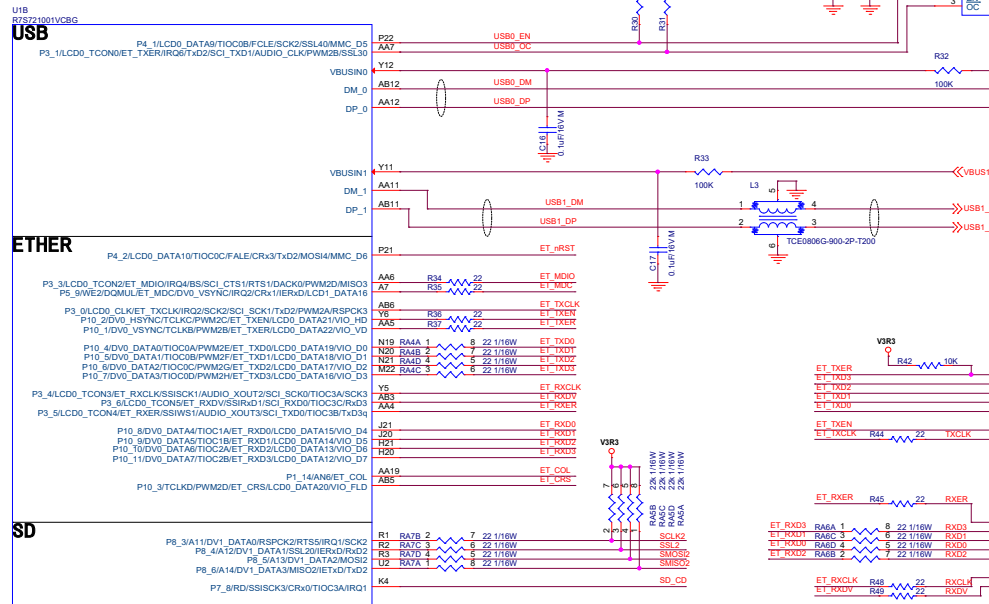
VBUS Supply Jumper



**USB Ch.0
DEVICE/HOST
Micro USB Connector**

If you use USB bus power supply, please keep in mind that it exceeds the 500mA by the method used.

**USB Ch.1
DEVICE/HOST
WiFi-Module(BP3595) / GR-IF
Exclusive use WiFi-Module(BP3595) or GR-IF**



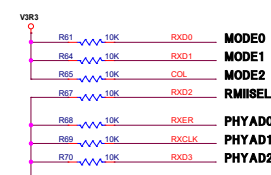
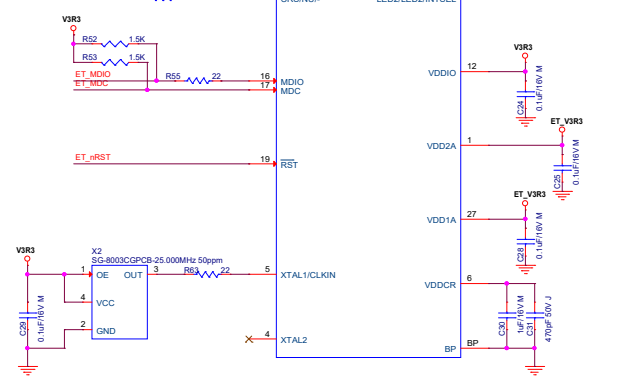
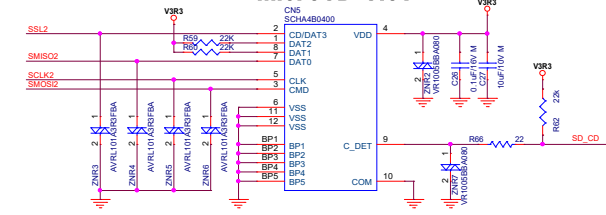
**ETHERNET
(RJ45 Connector)**

**Vereion [Normal] is not mount.
Vereion [Full] is mount.**

**REGOFF = 0
Internal Regulator Enable**

**INTSEL = 1
Interrupt Function Enable**

MicroSD Slot



**INTSEL 18pin Pull-Down : TX ER/TXD4
RMISEL 5pin Pull-Down : MII MODE
MODE[0:2] 10,11,16pin Pull-Up : Auto-negotiation Enable
PHYAD[0:2] = 000**

Notice: This board is not compatible with 5V tolerant signal.

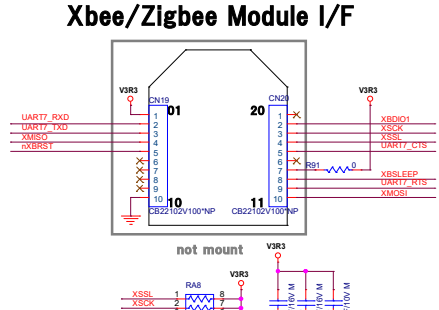
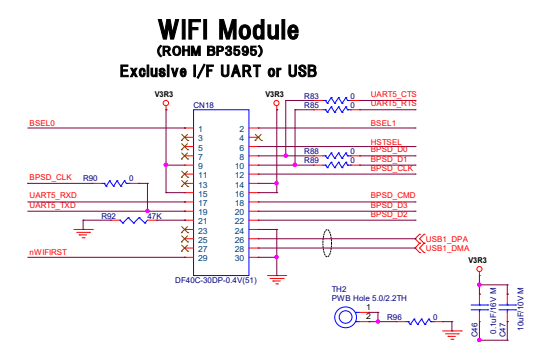
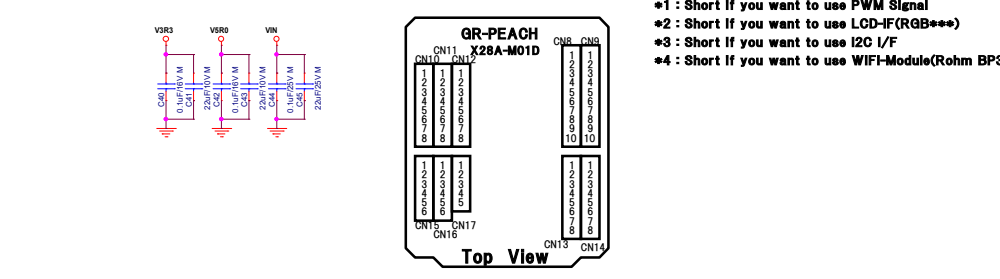
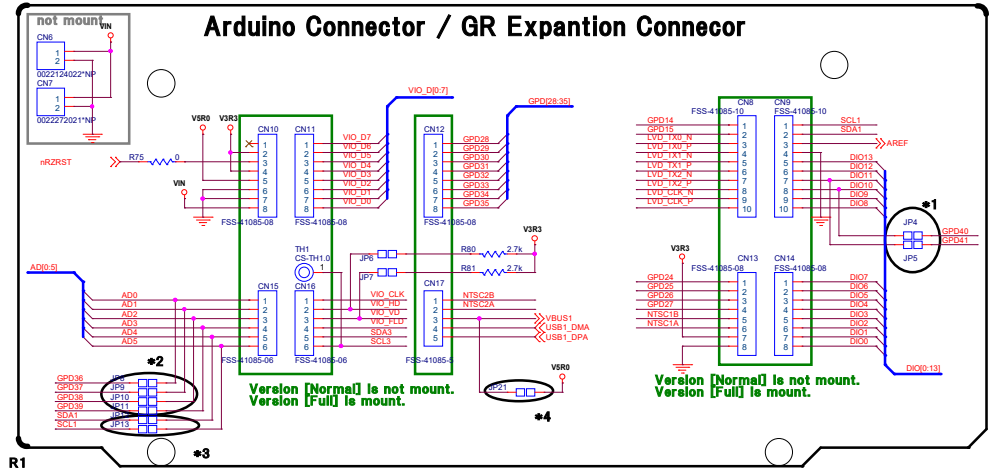
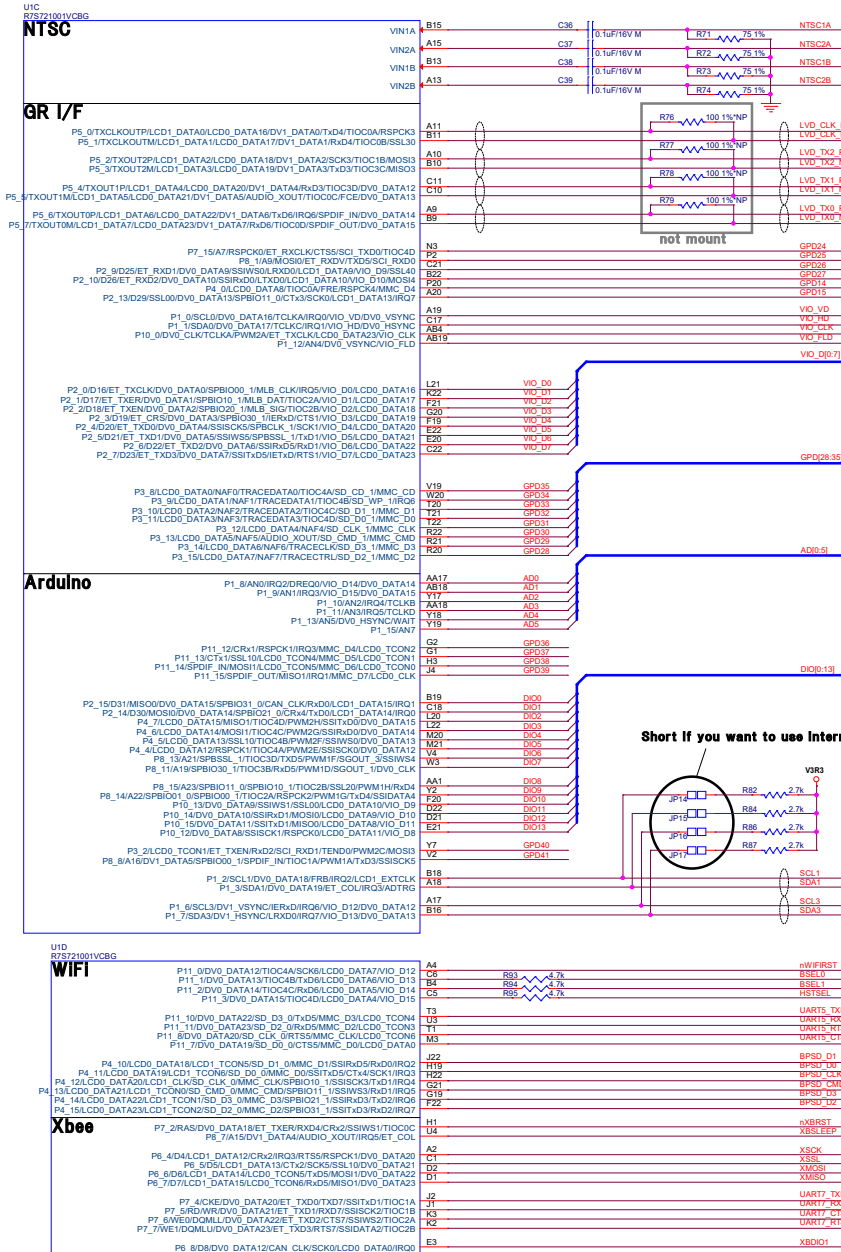
Core Co.Ltd.,

File: GR-PEACH(mbed-RZ/A1) Board Circuit

Size: Document Number X28A-M01-E/F Rev 0

Date: Wednesday, February 10, 2016 Sheet 3 of 6

SHT.4 Expansion I/F / Arduino / WiFi / Xbee Block

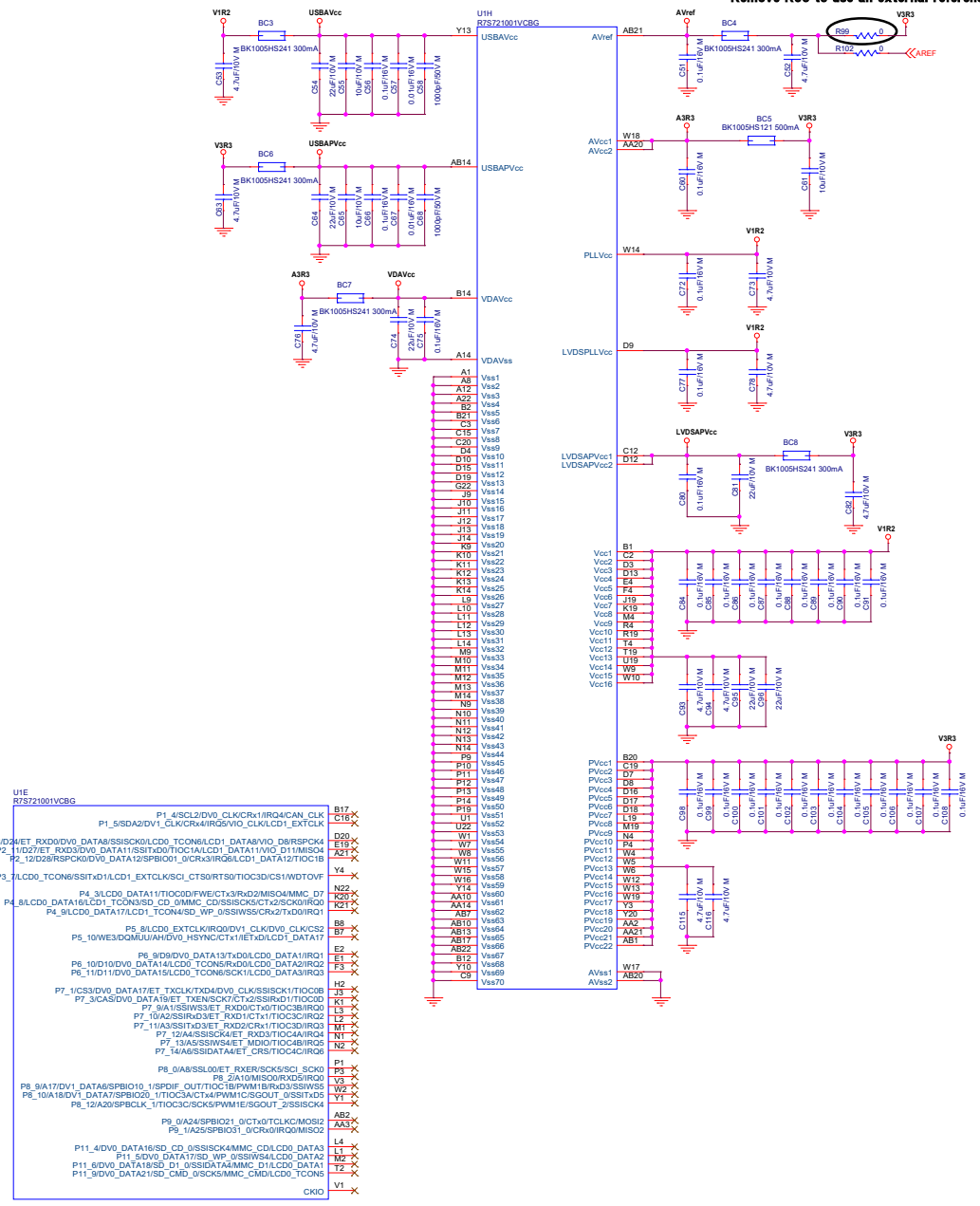


Core Co.,Ltd.,

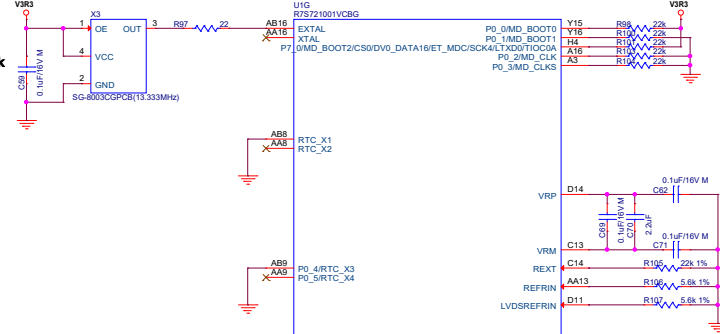
Notice: This board is not compatible with 5V tolerant signal.

SHT.5 CPU Power / Clock Block

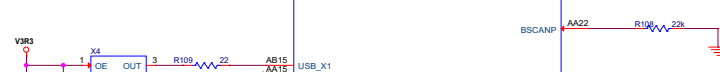
Remove R99 to use an external reference voltage.



System Clock



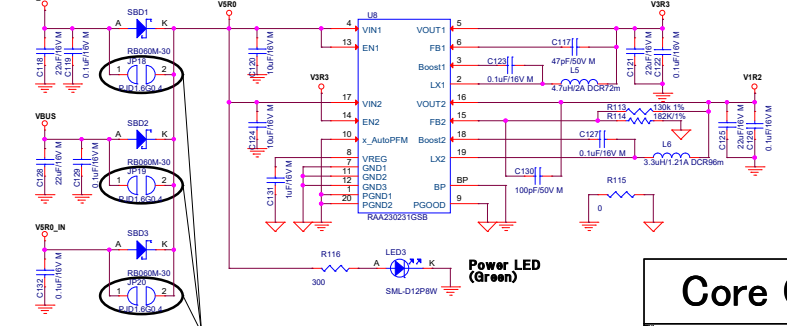
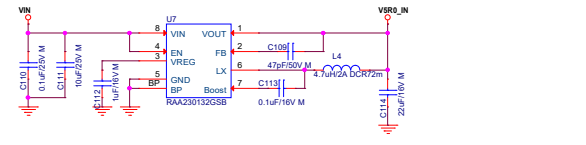
USB Clock



Video Clock



Audio Clock



Short if you do not want to drop the voltage at the diode

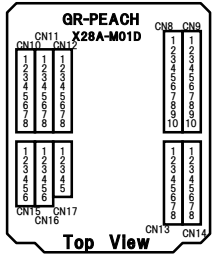
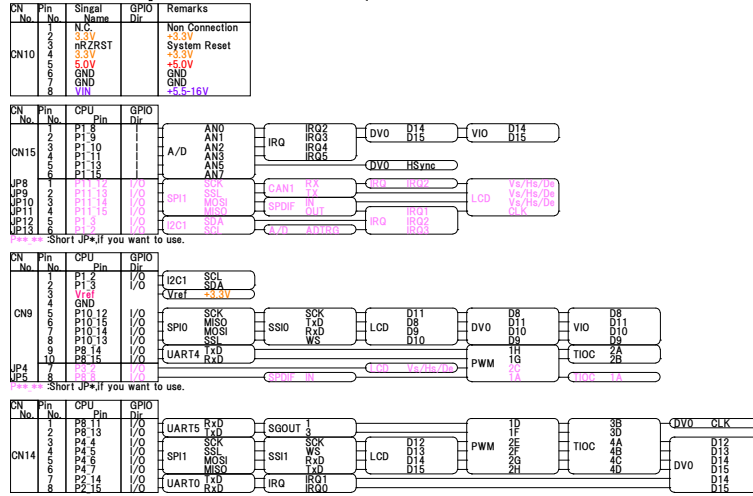
Notice: This board is not compatible with 5V tolerant signal.

Core Co.Ltd.,

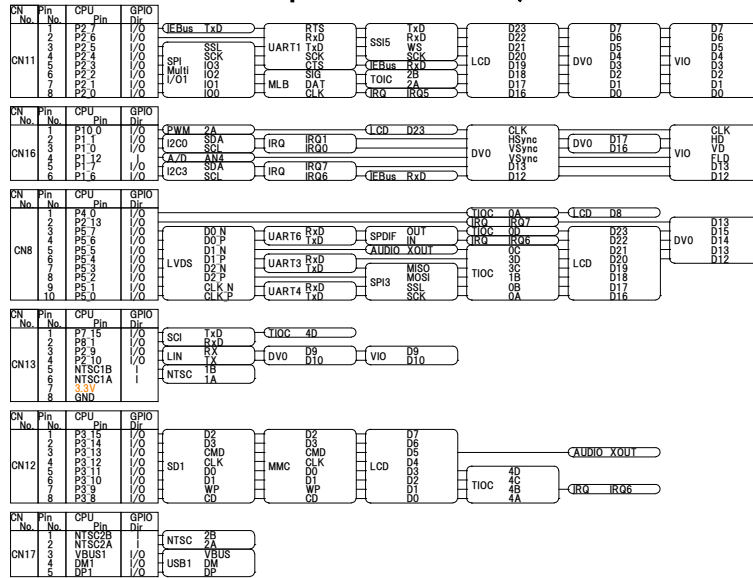
File	GR-PEACH(mbed-RZ/A1) Board Circuit	
Size	Document Number	Rev
	X28A-M01-E/F	0
Date	Wednesday, February 10, 2016	Sheet 6 of 6

SHT.6 PINMAP

Arduino Compatible Pin Socket/Header

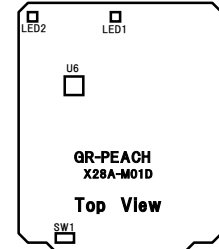


GR-PEACH Dedicated Expansion Pin Socket/Header



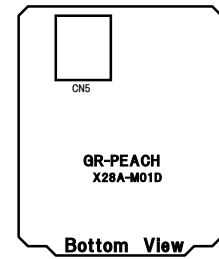
RGB-LED / User LED

LED No.	CPU Pin	GPIO Dir.	Signal Name
LED1	P6 14	I/O	RGB LED RED
LED2	P6 15	I/O	RGB LED GREEN
LED2	P6 17	I/O	RGB LED BLUE
			LED USER



User Button

LED No.	CPU Pin	GPIO Dir.	Signal Name
SW0	P6 0	I/O	Switch USER.BUTTON0



USB

CPU Pin	GPIO Dir.	Signal Name
P3 1	O	EN OC
		USB0 VBUS Enable
		Over Current
		IRQ0 IRQ6

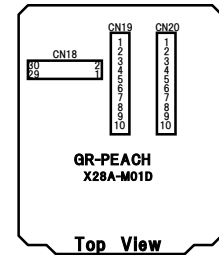
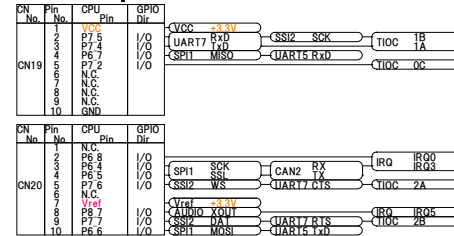
ETHER PHY

LED No.	CPU Pin	GPIO Dir.	Signal Name
P4 2	O	MDIO	MDIO
P6 9	I/O	MDIO	MDIO
P1 14	I/O	COL	COL
P1 15	I/O	CRS	CRS
P10 1	I/O	TXER	TXER
P10 2	I/O	TXCLK	TXCLK
P10 4	I/O	TXD0	TXD0
P10 6	I/O	TXD2	TXD2
P10 8	I/O	TXD3	TXD3
P3 5	I/O	RXER	RXER
P6 6	I/O	RXDV	RXDV
P6 7	I/O	RXCLK	RXCLK
P10 8	I/O	RXD0	RXD0
P10 13	I/O	RXD1	RXD1
P10 8	I/O	RXD2	RXD2
P10 11	I/O	RXD3	RXD3

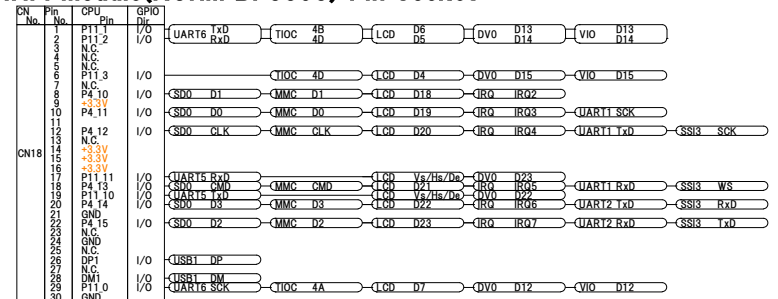
MicroSD Slot

LED No.	CPU Pin	GPIO Dir.	Signal Name
P8 4	I/O	CD/DA13	CD/DA13
P8 5	I/O	COMD	COMD
P8 6	I/O	VDD	VDD
P6 3	I/O	CLK	SPI2 SCK
P6 4	I/O	VSS	SPI2 MOSI
P6 6	I/O	DAT0	SPI2 SCK
P6 8	I/O	DAT1	SPI2 MISD
P6 9	I/O	C DET	IRQ0 IRQ01
P6 10	I/O	COM	

Xbee Compatible Pin Socket



WiFi-Module(ROHM BP3595) Pin Socket



Core Co.Ltd.,