

GR-PEACH(mbed-RZ/A1) Circuit schematic 【 X28A-M01-C/D 】

Released under the Creative Commons Attribution Share-Alike 3.0 License
<http://creativecommons.org/licenses/by-sa/3.0>

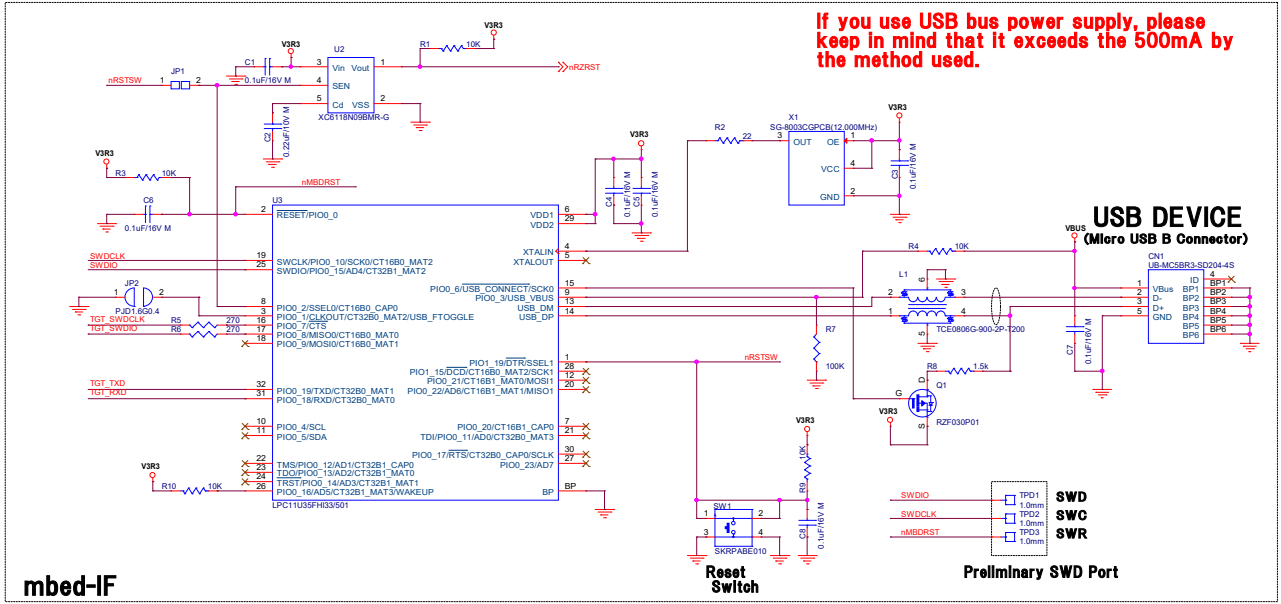
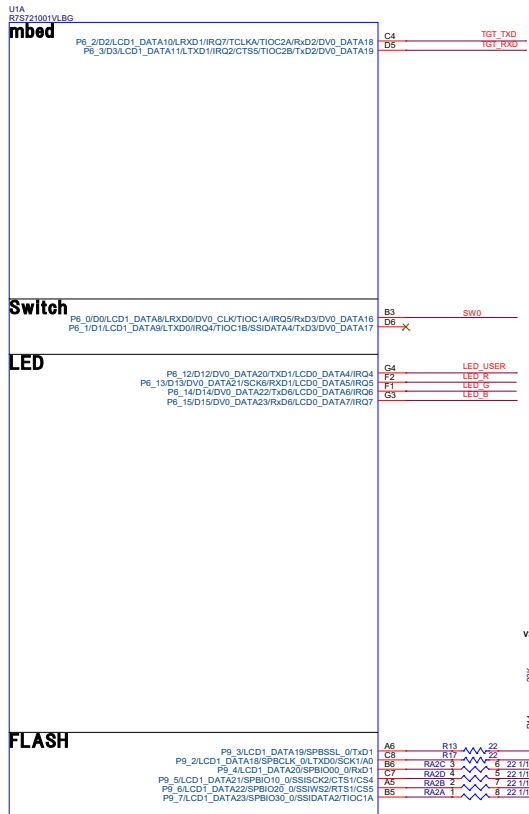
GR-PEACH Design by Core Corporation

SHT.1 Title Sheet
SHT.2 MBED-IF / Serial Flash / Switch / LED Block
SHT.3 USB Host/Function / ETHER / SD Slot Block
SHT.4 Expansion I/F / Arduino / WIFI / Xbee Block
SHT.5 CPU Power / Clock Block
SHT.6 PINMAP

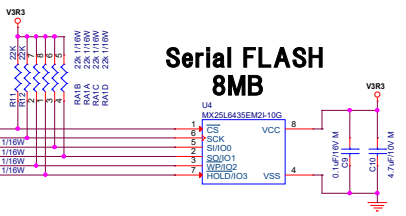
Core Co.Ltd.,

File	GR-PEACH(mbed-RZ/A1) Board Circuit	
Size	Document Number	Rev
	X28A-M01-C/D	0
Date	Friday, March 20, 2015	Sheet 1 of 8

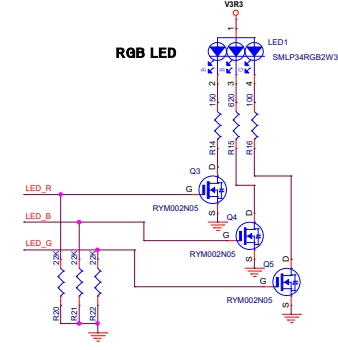
SHT.2 MBED-IF / Serial Flash / Switch / LED Block



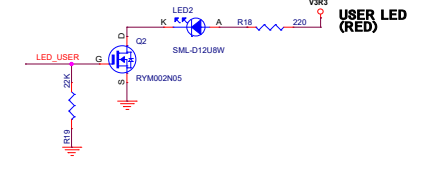
Serial FLASH 8MB



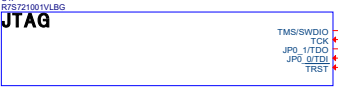
RGB LED



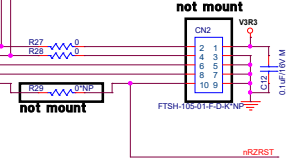
USER LED (RED)



JTAG



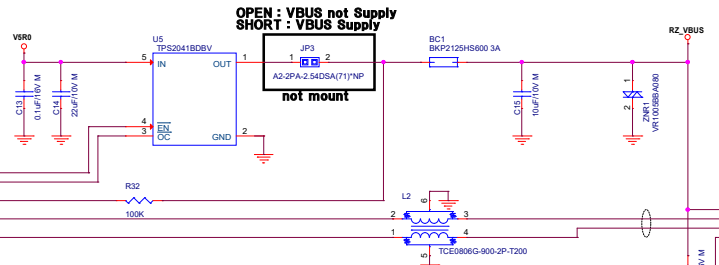
JTAG MIPI-10



Notice: This board is not compatible with 5V tolerant signal.

SHT.3 USB Host/Function / ETHER / SD Slot Block

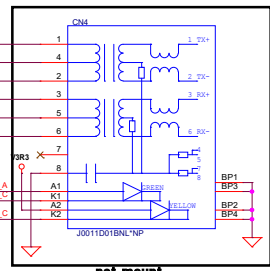
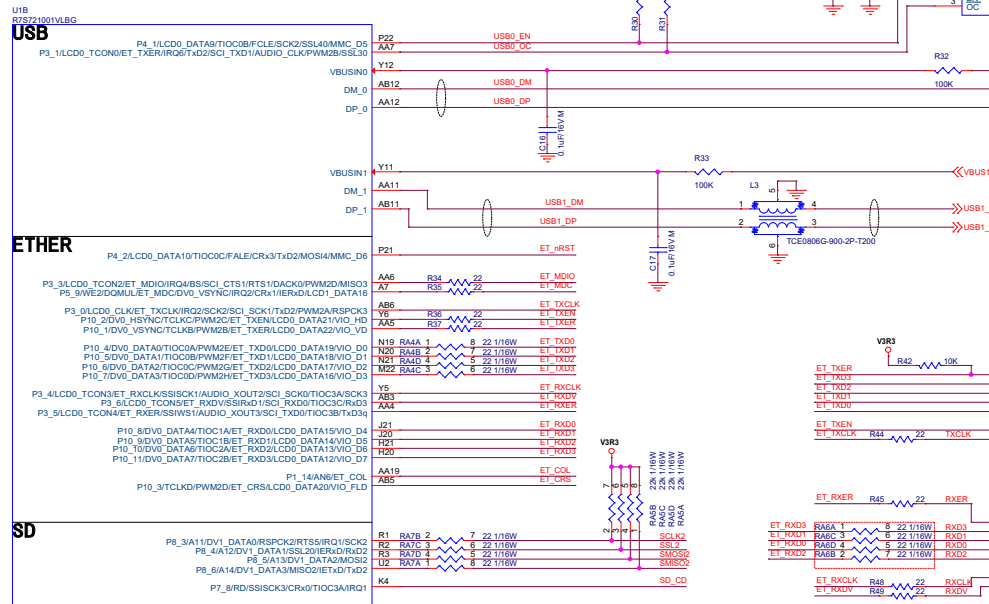
VBUS Supply Jumper



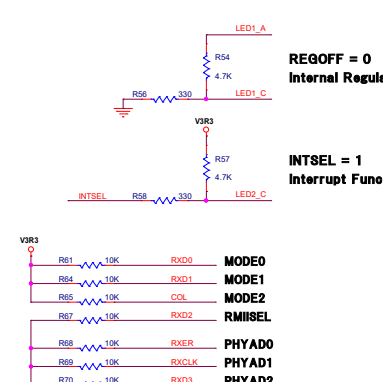
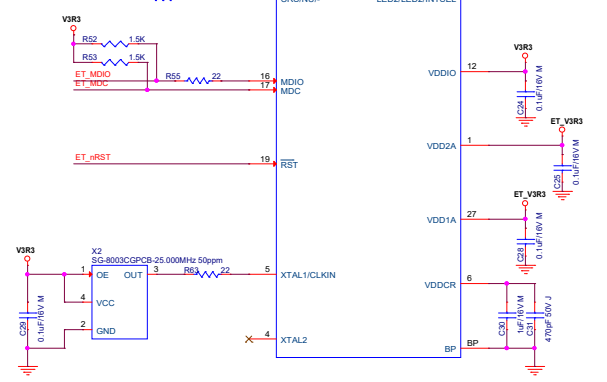
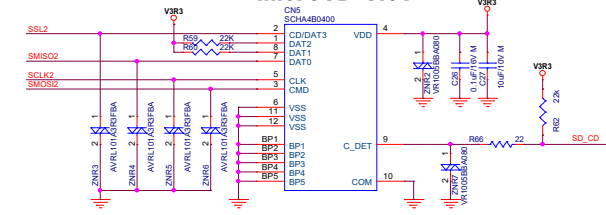
**USB Ch.0
DEVICE/HOST
Micro USB Connector**

If you use USB bus power supply, please keep in mind that it exceeds the 500mA by the method used.

**USB Ch.1
DEVICE/HOST
WiFi-Module(BP3595) / GR-IF
Exclusive use WiFi-Module(BP3595) or GR-IF**



MicroSD Slot

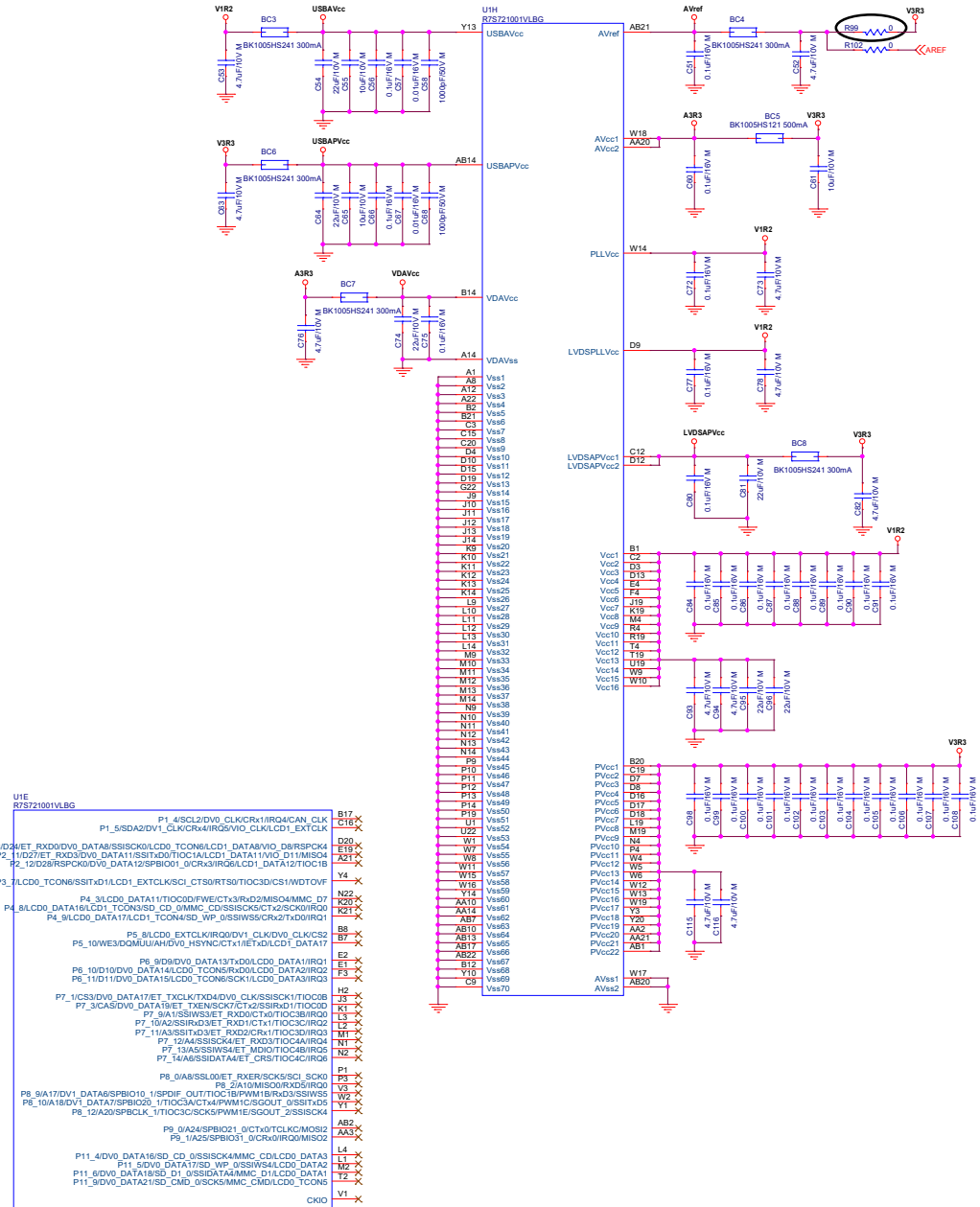


**INTSEL 18pin Pull-Down : TX ER/TXD4
RMISEL 5pin Pull-Down : MII MODE
MODE[0:2] 10,11,16pin Pull-Up : Auto-negotiation Enable
PHYAD[0:2] = 000**

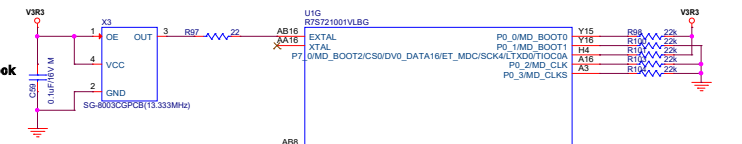
Notice:This board is not compatible with 5V tolerant signal.

SHT.5 CPU Power / Clock Block

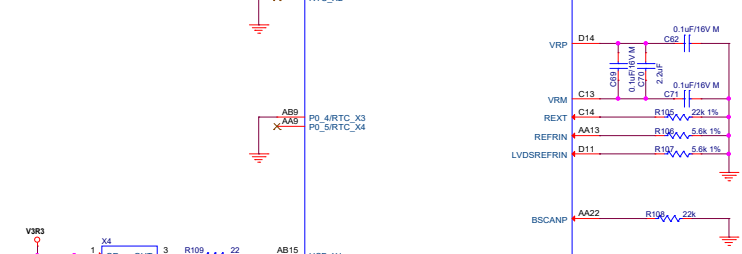
Remove R99 to use an external reference voltage.



System Clock



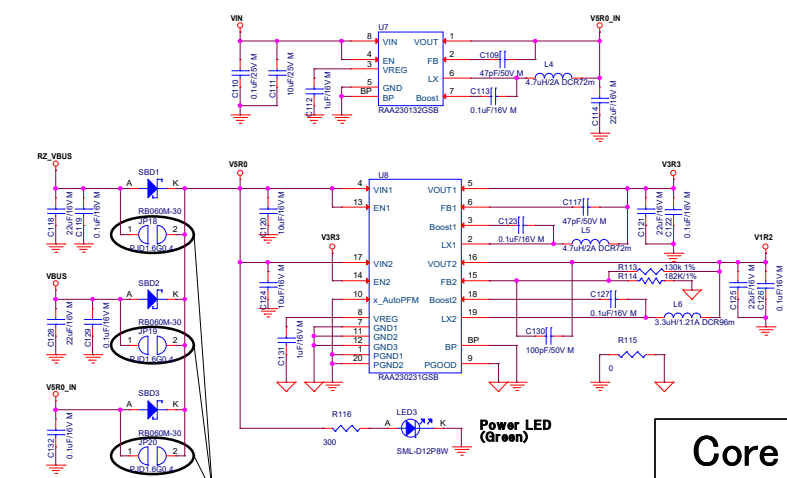
USB Clock



Video Clock



Audio Clock



Short if you do not want to drop the voltage at the diode

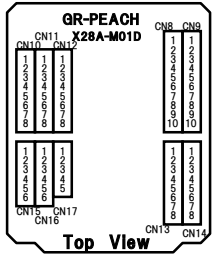
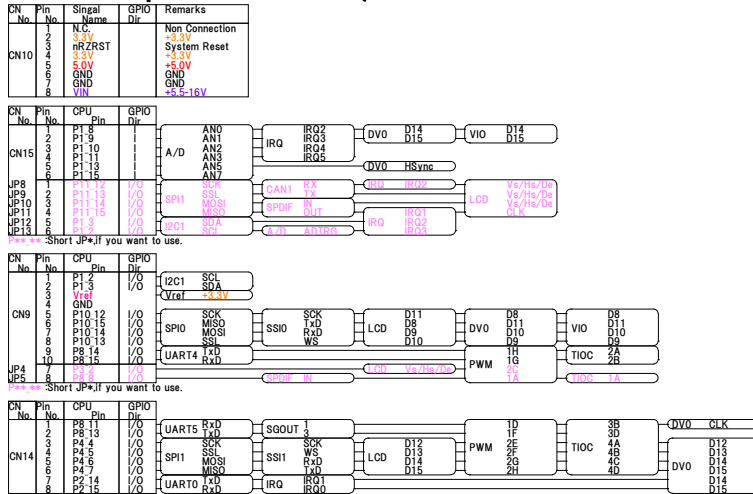
Notice: This board is not compatible with 5V tolerant signal.

Core Co.Ltd.,

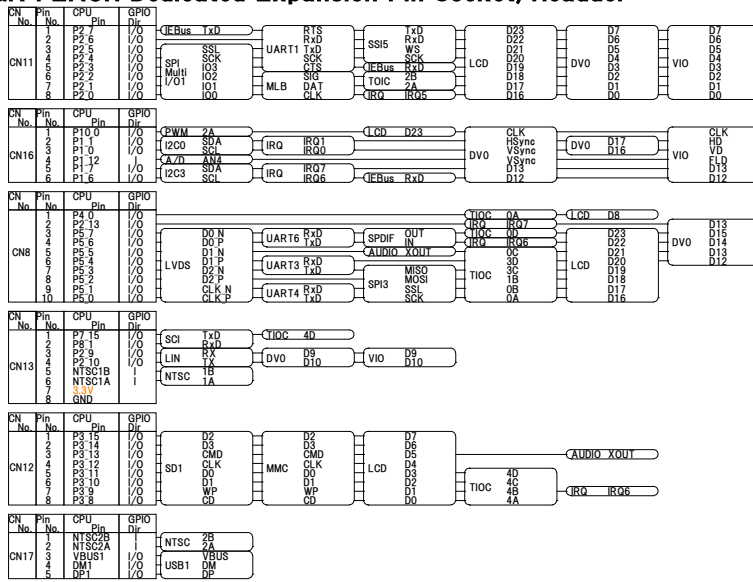
File	GR-PEACH(mbed-RZ/A1) Board Circuit	
Size	Document Number	Rev
	X28A-M01-C/D	0
Date	Thursday, March, 28 2015	Sheet 6 of 8

SHT.6 PINMAP

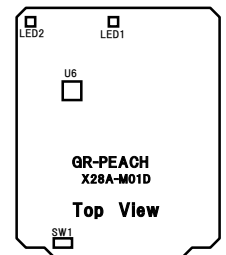
Arduino Compatible Pin Socket/Header



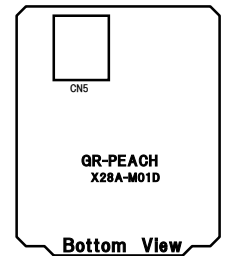
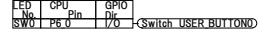
GR-PEACH Dedicated Expansion Pin Socket/Header



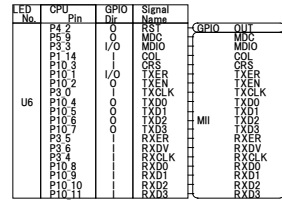
RGB-LED / User LED



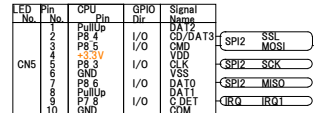
User Button



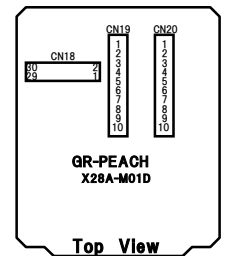
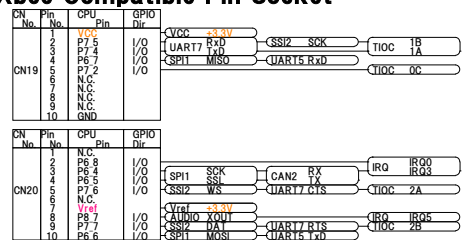
ETHER PHY



MicroSD Slot



Xbee Compatible Pin Socket



WiFi-Module(ROHM BP3595) Pin Socket

